

---

## INSTRUCTIONS FOR USE

# A-dec® Radius® Delivery System on Performer® Chair



**A-DEC<sup>®</sup> RADIUS<sup>®</sup> DELIVERY SYSTEM ON PERFORMER<sup>®</sup> CHAIR**  
**Instructions For Use**

## **Copyright**

**©2006 by A-dec Inc. All Rights Reserved.**

2601 Crestview Drive, Newberg, OR 97132, USA

Printed in USA.

A-dec Inc. makes no warranty of any kind with regard to this material, including, but not limited to, the implied warranties of merchantability and fitness for a particular purpose. A-dec Inc. shall not be held liable for any errors contained herein or any consequential or other damages concerning the furnishing, performance or use of this material. The information in this document is subject to change without notice. If you find any problems in the documentation, please report them to us in writing. A-dec Inc. does not warrant that this document is error free.

No part of this document may be copied, reproduced, altered or transmitted in any form or by any means, electronic or mechanical, including photocopying, recording or by any information storage and retrieval system, without prior written permission from A-dec Inc.

Publication Number: 86.0618.00

Revision Date: RevA 2006-10

## **Trademarks**

A-dec logo, A-dec 500, Cascade, Cascade Master Series, Century Plus, Continental Decade, Performer, Preference, Preference Collection, and Radius are registered trademarks in the U.S. Patent and Trademarks office.

A-dec, and ICX are also trademarks of A-dec Inc.

## **Comments and Feedback**

Thank you for taking the time to use the A-dec Instructions for Use. We would appreciate any feedback or comments you have about this document. Please mail, email, or phone us with your comments. You can reach us at:

A-dec Inc.

Technical Communications Department

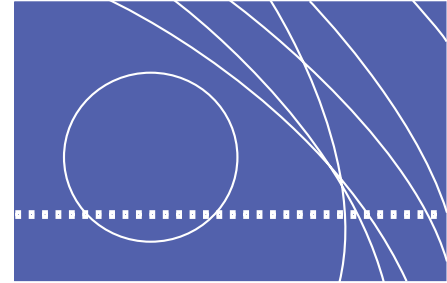
2601 Crestview Drive

Newberg, OR 97132

Reach us by phone at: 1.800.547.1883

email: [techcomm@a-dec.com](mailto:techcomm@a-dec.com)






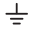




website: [www.a-dec.com](http://www.a-dec.com)



<b>1 INTRODUCTION</b> .....	<b>1</b>
About the A-dec Radius Delivery System on Performer Chair .....	1
Customer Service.....	2
Serial Numbers .....	2
<b>2 FEATURES AND OPERATION</b> .....	<b>3</b>
Performer Chair .....	4
Positioning.....	4
Chair LED.....	7
Chair Stop Plate .....	7
Radius Delivery System.....	8
Handpiece Actuation (Continental Models Only) .....	8
Handpiece Controls .....	8
Drive Air Pressure Gauge .....	9
Arm Brake .....	10
Assistant's Instrumentation .....	10
Autoclavable HVE.....	10
Autoclavable Saliva Ejector .....	10
HVE Screen .....	11
Cuspidor.....	11
Cup Fill .....	11
Bowl Rinse.....	11
Floor Box .....	12
Floor Box Controls and Functions .....	12
<b>3 ADJUSTMENTS</b> .....	<b>15</b>
Chair .....	15
Headrest Glide Bar Tension Adjustment.....	15
Delivery System .....	16
Handpiece Drive Air Pressure .....	16
Handpiece Coolant .....	17
Flexible Arm.....	18
System Air and Water Pressure .....	20

<b>4 MAINTENANCE</b> .....	<b>21</b>
Delivery System .....	21
Oil Collector .....	21
Handpiece Tubing Flush.....	22
Cuspidor .....	23
Floor Box .....	23
Air and Water Filter Elements.....	23
Water Screen .....	25
Touch and Transfer Surfaces.....	25
Heat Sterilization.....	26
Specifications .....	27

## Identification of Symbols

Symbol	Description
	Recognized by Underwriters Laboratories Inc. with respect to electric shock, fire and mechanical hazards only in accordance with UL 60601-1 (2601-1) and under mutual recognition agreement with CAN/CSA C22.2, No. 601.1.
	Classified by Underwriters Laboratories Inc. with respect to electric shock, fire and mechanical hazards only in accordance with UL 60601-1 (2601-1) and under mutual recognition agreement with CAN/CSA C22.2, No. 601.1.
	UL listed to UL 61010A-1, BS EN 61010-2-010 and Canadian (CAN/CSA C22.2, No. 1010.1-92) safety standards.
	Conforms to applicable European Directives (refer to Declaration of Conformity).
	Protective earth (ground).
	Functional earth (ground).
	Attention, consult accompanying documents. No user serviceable parts. Attention, line voltage. Only licensed electrician should remove cover.
	Type B applied part.
	Class II equipment.
	Caution: Metal surfaces can be hot during and following the dry cycle.

## Classification of Equipment (EN-60601-1)

Type/Mode	Classification
Types of shock protection	CLASS I EQUIPMENT: Dental chairs, dental lights, and power supplies CLASS II EQUIPMENT: Chair, wall, and cart-mounted delivery systems
Degree of shock protection	TYPE B APPLIED PART: Delivery systems only
Degree of protection against water ingress	ORDINARY EQUIPMENT: All products
Mode of operation	CONTINUOUS OPERATION: All models except dental chairs CONTINUOUS OPERATION WITH INTERMITTENT LOADING: Dental chairs - 5% duty cycle
Flammable Gasses:	Not suitable for use in the presence of a flammable anesthetic mixture with air, oxygen, or nitrous oxide, where such gasses may accumulate in concentration (closed space).

## Electrical Rating

Type	Specification
Volts:	100/110-120/220-240 VAC
Frequency:	50-60 Hz
Current:	As configured and specified in equipment manual (products labeled 15A or greater require dedicated circuit, identified in distribution panel).

## Environmental Specifications

Temperature/Humidity	Specification
Storage/Transportation T	temperature: -40°C to 70°C (-40°F to 158°F) Relative humidity: 80% for up to 31°C, decreasing linearly to 50% at 40°C
Operating T	temperature: 10°C to 40°C (40°F to 104°F) Relative humidity: 80% for up to 31°C, decreasing linearly to 50% at 40°C.
Indoor Use:	Altitude up to 2,000M (6,563 ft.), installation category II, pollution degree 2. (UL 61010A-1 and CAN/CSA C22.2, No. 1010.1-92 only)

## Warranty

A-dec warrants all products against defects in materials or workmanship for one year from time of delivery. A-dec's sole obligation under the warranty is to provide parts for the repair, or at its option, to provide the replacement product (excluding labor). The buyer shall have no other remedy. All special, incidental, and coincidental damages are excluded.

Written notice of breach of warranty must be given to A-dec within the warranty period. The warranty does not cover damage resulting from improper installation or maintenance, accident or misuse. The warranty does not cover damage resulting from the use of cleaning, disinfecting or sterilization chemicals and processes. The warranty also does not cover light bulbs. Failure to follow instructions provided in the *A-dec Instructions For Use* (operation and maintenance instructions) may void the warranty.

A-dec warrants A-dec dental chair cylinders, both lift and tilt for ten years from the date of purchase of the chair or the cylinder. This warranty is retroactive to A-dec chair cylinders already in the field. The warranty covers chair cylinders A-dec finds to have manufacturing irregularities. Stool cylinders are covered under A-dec's one-year warranty.

No other warranties as to merchantability or otherwise are made. For service information, contact your local authorized A-dec dealer. Check with local codes and ADA (Americans with Disabilities Act) requirements for installation of this product.



**CAUTION** Federal law restricts this device to sale by or on the order of a dentist, physician, or any other practitioner licensed by the law of the state in which he or she practices to use or order the use of this device.

---

## Equipment Alterations Policy

Certain modifications or alterations of A-dec equipment which expand the use of A-dec equipment beyond its design and intent, or which override any safety features of A-dec equipment may jeopardize doctor, patient or staff safety. Field modifications that alter the electrical and/or mechanical safety of A-dec dental devices are in conflict with Underwriters Laboratory (UL) construction file requirements and are not sanctioned by A-dec. Examples of field modifications that diminish safety design include, but are not limited to: rendering access to the line voltage without the use of tools, modification of supporting elements that increase or shift loading characteristics, and the addition of any powered device that exceeds the design limits of the dental system. The use of accessory equipment

not complying with the equivalent safety requirements of A-dec equipment may lead to a reduced level of safety of the resulting system. It is the responsibility of the equipment distributor and the installer to assure that the installation complies with all building code requirements. The responsibility to determine whether a modification or alteration of A-dec equipment falls within these constraints is with the person(s) who initiates, approves and/or performs such modification or alteration. A-dec will not respond to inquiries on an individual basis. This person(s) will be deemed to have assumed all associated risks with such alteration or modification and will hold A-dec harmless from resulting claims, including product liability claims. Additionally, such modification or alteration voids A-dec's warranty and may invalidate UL or other regulatory agency approval.







# INTRODUCTION

This guide contains information on the A-dec® Radius® Delivery System on Performer® Chair:

- Features and operating instructions
- Adjustments
- Maintenance

## About the A-dec Radius Delivery System on Performer Chair

The A-dec Radius Delivery System on Performer Chair features the choice of either a Traditional- or Continental®-style delivery system.



The A-dec Radius Delivery System on Performer Chair includes:

**Performer chair**

- 115 or 240 volts power
- Contoured or narrow backrest

**Radius delivery system**

- Continental- or Traditional-style
- QD syringe
- Chair touchpad
- Four control block positions
- 300 watt power supply - 120 and 240 volts
- Foot control with chip blower and wet/dry toggle
- Choice of 11 or 15 mm HVE

**Cuspidor**

- Ceramic bowl
- Cup fill and bowl rinse

Contoured or stainless steel floor box

Self-contained water bottle

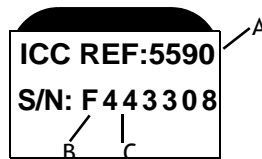
A-dec 6300 dental light

**Customer Service**

For service information, contact your local authorized A-dec dealer.

**Serial Numbers**

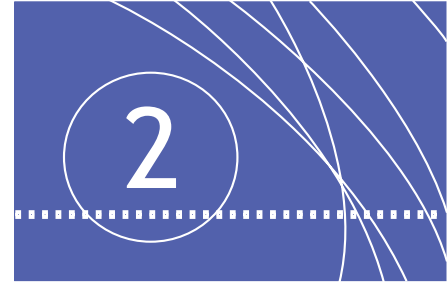
When you call, please include the serial number for the product. The serial number for the A-dec Radius Delivery System on Performer Chair appears on the worksurface housing.



(A) The REF number is the model number. (B) The first letter of the serial number is the month the product was manufactured. (C) The first digit of the serial number is the year of manufacture. For example, 4 is 2004.

**Table 1** Key to Month of Manufacture

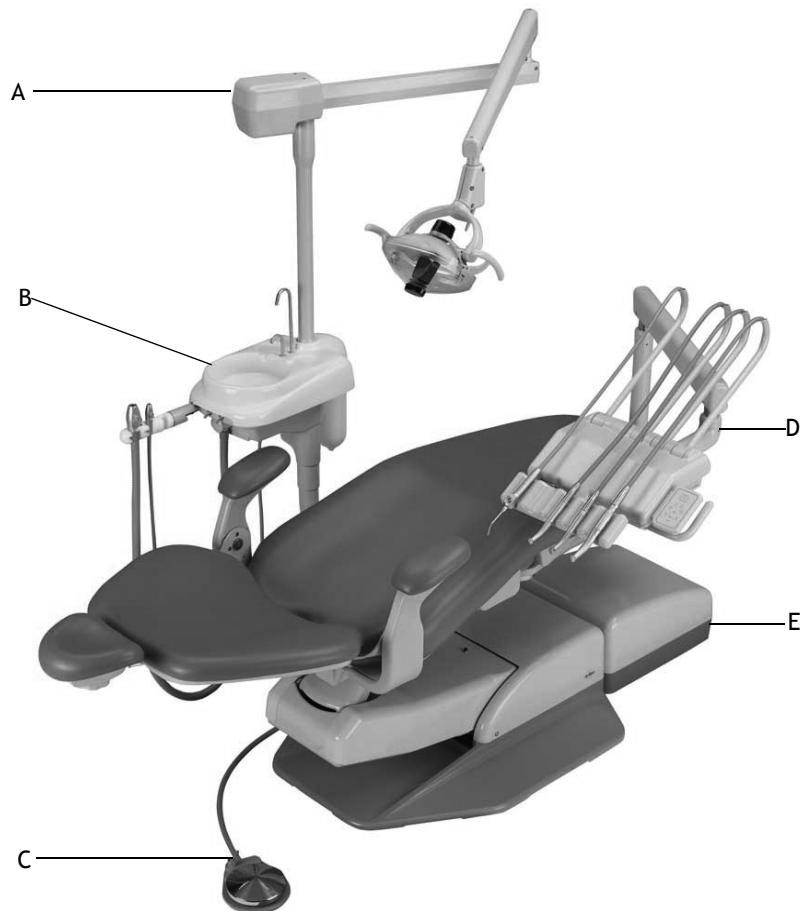
Letter	Month	Letter	Month
A	January	G	July
B	February	H	August
C	March	I	September
D	April	J	October
E	May	K	November
F	June	L	December



## FEATURES AND OPERATION

This section describes the following features and how to operate your Radius delivery system and Performer chair:

- Chair
- Radius Delivery System
- Floor Box

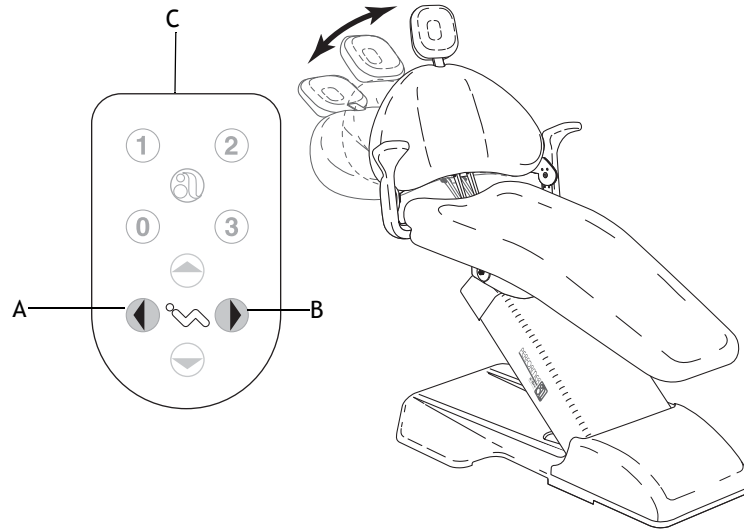


(A) Dental Light; (B) Cuspidor; (C) Foot Control;  
(D) Delivery System (Continental shown); (E) Floor Box

# Performer Chair

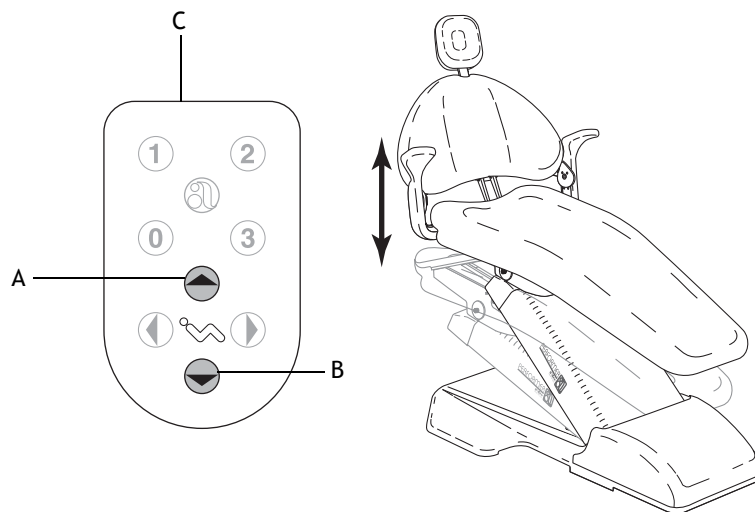
## Positioning

### Back Positioning



(A) Chair Back Down; (B) Chair Back Up; (C) Touchpad

### Seat Positioning

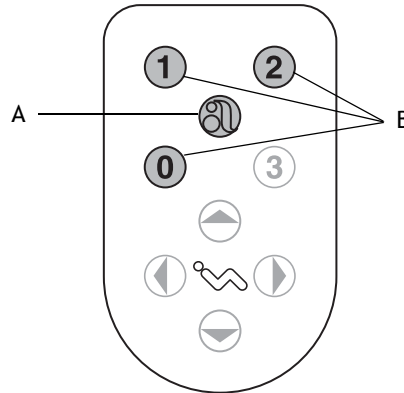


(A) Chair Base Up; (B) Chair Base Down; (C) Touchpad

## Programming Positions 0, 1, or 2



**NOTE** To stop the chair at any point, push any button on the touchpad.



(A) Program Button; (B) Programmable Position Buttons

To Program:

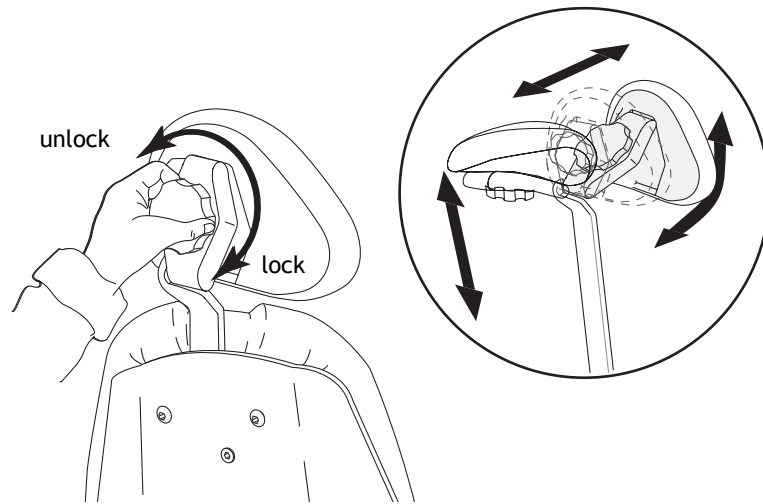
1. Move the chair to the desired operating position.
2. Press the program button. A tone sounds, indicating programming mode.
3. Press the programmable position button for the desired setting (0, 1, or 2) within 4 seconds.

A tone sounds 3 times to confirm the position programming.

Position 3 is factory set in the cuspidor/return mode. Pressing the Position 3 button moves the chair back up, allowing patient access to the cuspidor. Pressing the Position 3 button a second time returns the patient to the previous operating position.

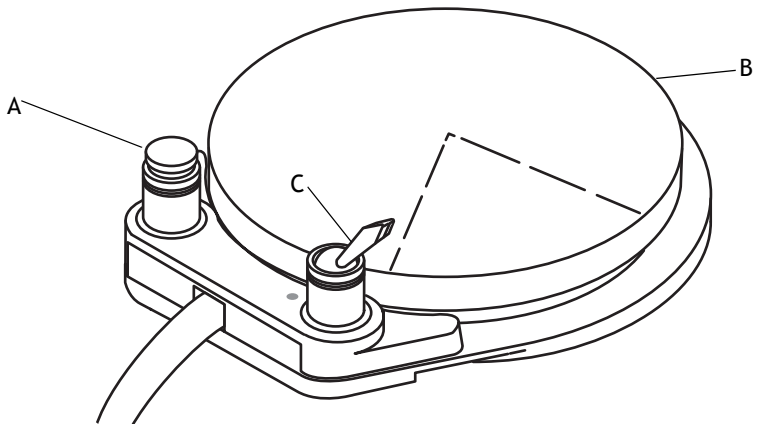
Contact an authorized A-dec Dealer to have Position 3 reconfigured to a third Pre-Position or as a last position recall.

### Headrest Positioning



### Foot Control, Wet/Dry Toggle

The foot control modulates drive air to the active handpiece and provides an air signal that activates coolant air and coolant water flow. To operate the foot control, apply light foot pressure to any part of the foot control disc.



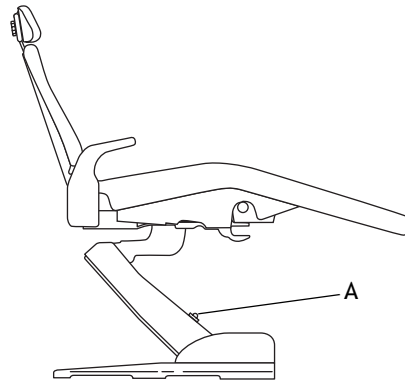
(A) Chip Blower Button; (B) Foot Control Disc; (C) Wet/Dry Toggle

The foot control has a wet/dry toggle and a chip blower button.

## Chair LED

The chair LED indicates the status of the chair:

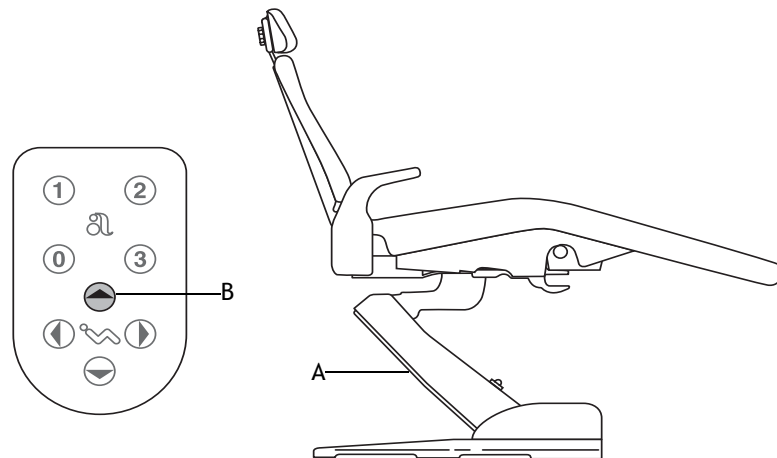
- on: Normal Operation
- SLOW BLINK: The cuspidor or stop plate limit switches are activated. Remove any obstructing object.



(A) Chair LED

## Chair Stop Plate

When any part of it is pressed, the chair stop plate stops the chair immediately. Should anything inadvertently become lodged under the chair, press Base UP on the touchpad to raise the chair so you can remove the object. As long as you apply pressure to the stop plate, the chair base remains stopped in position.



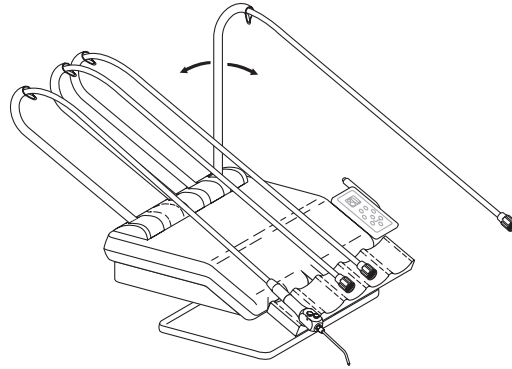
(A) Chair Stop Plate; (B) Base UP



## Radius Delivery System

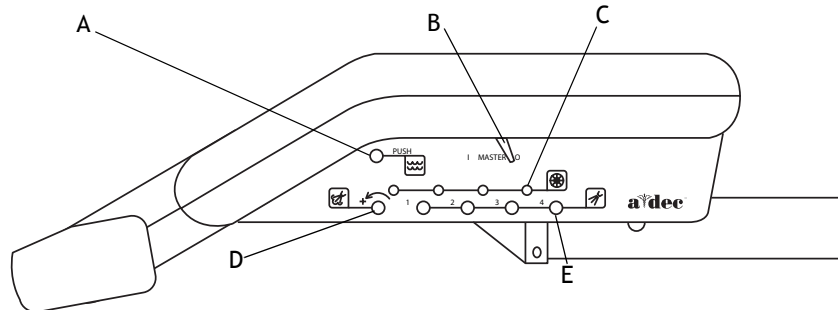
### Handpiece Actuation (Continental Models Only)

To activate a handpiece, pull the handpiece forward until the arm passes approximately the 90° position. To deactivate the handpiece, place the handpiece back on the handpiece pad.



### Handpiece Controls

You can individually adjust coolant water flow and drive air pressure for each handpiece. Coolant air flow control adjustments affect all handpieces. All handpiece controls are located on the sides of the unit.



(A) Handpiece Flush Control; (B) Master On/Off Toggle; (C) Drive Air Pressure Controls; (D) Coolant Air Flow Control; (E) Coolant Water Flow Control

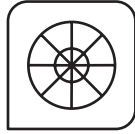
### Master On/Off Toggle

The Master On/Off toggle turns on or off air, water and electrical power to the control system.



**CAUTION** Leave the Master On/Off toggle in the off (0) position whenever the unit IS NOT in use. This prevents the possibility of water damage should a leak occur while the unit is unattended. Making sure the unit is off also prevents the possibility of self-activation and the resulting burn-out of electrical accessories.

### Drive Air Pressure Control



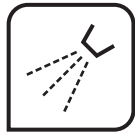
Use the drive air pressure control to adjust the drive air pressure to each handpiece. Turn the control left until your handpiece runs at slightly above the specified maximum pressure; then, turn the control until the handpiece runs at the handpiece manufacturer's specific maximum pressure.

### Coolant Air Flow Control



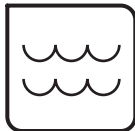
Use this control to adjust coolant air flow to all handpieces. Turn the control right to decrease the flow; left to increase. When turned fully right, air flow turns off.

### Coolant Water Flow Controls



Use this control to adjust the flow of coolant water to each handpiece. Turn the control right to decrease the flow; left to increase.

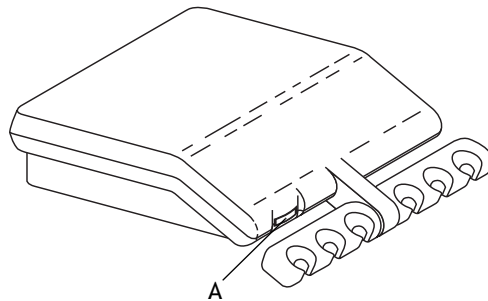
### Handpiece Tubing Flush Control



Use this control to flush system water through all the handpiece tubings.

### Drive Air Pressure Gauge

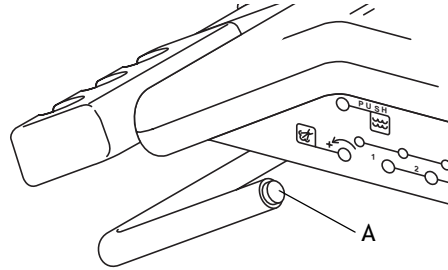
The drive air pressure gauge indicates in psi and kg/cm<sup>2</sup>, the drive air pressure to the active handpiece.



(A) Drive Air Pressure Gauge

## Arm Brake

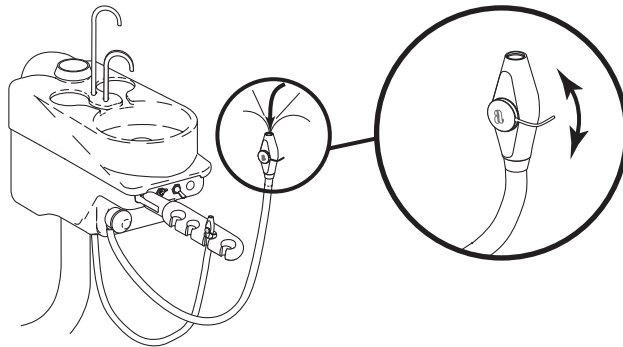
The arm brakes against vertical movement until you press the arm brake button. You can then position the control head. Releasing the arm brake button locks the control head in place.



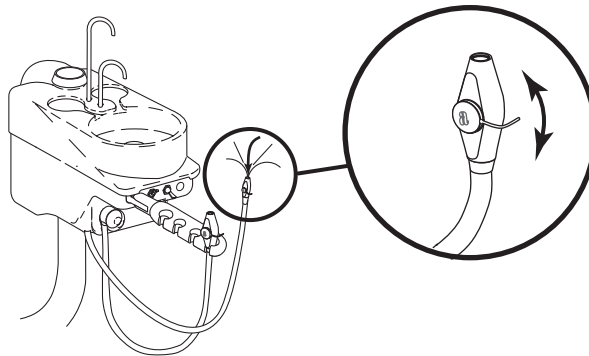
(A) Arm Brake Button

## Assistant's Instrumentation

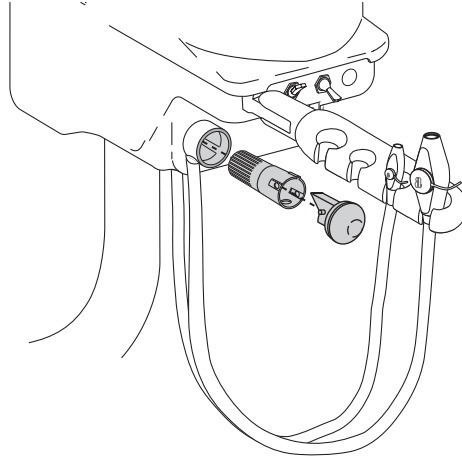
### Autoclavable HVE



### Autoclavable Saliva Ejector

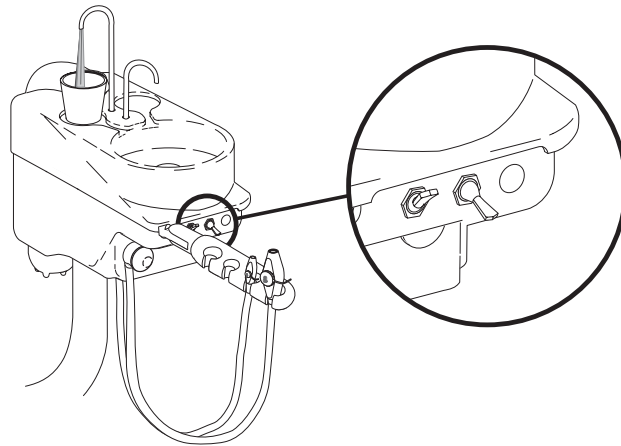


### HVE Screen

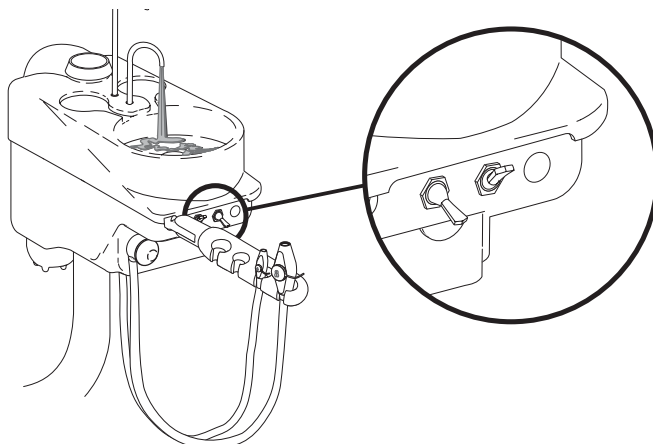


### Cuspidor

#### Cup Fill



#### Bowl Rinse



## Floor Box

Your floor box mounts over the utilities on the floor of the operatory. Included utilities are:

- air and water manual shutoff valves
- filters
- pressure pre-regulators
- vacuum or gravity drains
- electrical outlets

The cover lifts off for access to the utilities and optional power supplies and/or water heater.



**CAUTION** Do not use saline solution, mouth rinses, or any chemical solutions not specified in this manual in your municipal water supply. These may damage the water system components and cause the failure of your dental unit. If you need to use such solutions, use a water supply system separate from your dental unit. As a general rule, water that is suitable for drinking is suitable to use in your delivery system.

---

### Floor Box Controls and Functions

#### Air and Water Manual Shutoff Valves

Shutoff valves control the air and water to the unit. To prevent leaks, these valves should remain fully open (turned left) except while your unit is being serviced.

#### Air-actuated Air and Water Shutoff Valves

These valves automatically shut off air and water to the system when the master on/off toggle is in the off position. This safety feature prevents water damage in the event the unit should develop a water leak while the unit is unattended.

#### Air and Water Filters

Air and water filters prevent solids from entering the unit.

#### Air and Water Pressure Pre-Regulators

Pre-Regulators control the air and water pressures in the unit.

#### Power Supply

No cleaning or maintenance is required to maintain the power supply.

If a problem arises with the power supply or an A-dec electrical accessory to the power supply, call your authorized A-dec dealer.

**Gravity Drain and Air Vent**

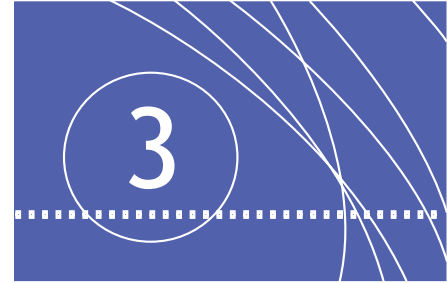
The Gravity Drain (a “T” fitting) connects to the office waste drainage system and provides for the disposal of water and debris from the unit.

The Air Vent (the open end of the “T” fitting) prevents air being trapped in the office waste drainage system. If the vent becomes obstructed, waste water and debris may back up into the unit.

**Vacuum Outlet**

A flexible tube from the cuspidor connects to the gravity drain. The office central vacuum system outlet is located in the floor box. A flexible tube connects the vacuum instruments and cuspidor to the outlet.





## ADJUSTMENTS

This section describes adjustments for the:

### Chair

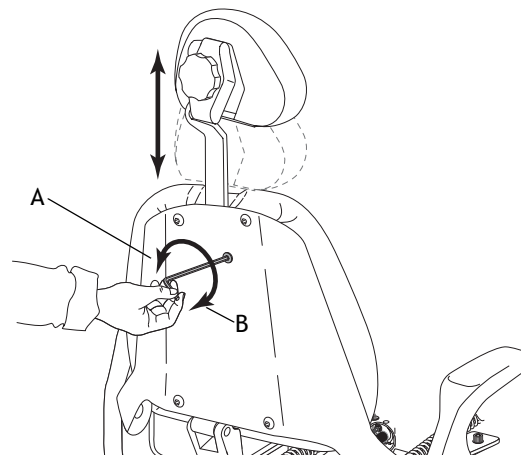
- Headrest glide bar tension

### Delivery system

- Handpiece drive air pressure
- Handpiece coolant
- Flexible arm
- System air and water pressure

## Chair

### Headrest Glide Bar Tension Adjustment



(A) Decrease; (B) Increase



## Delivery System

### Handpiece Drive Air Pressure

---

**NOTE** Use a 3/32" hex key to complete this adjustment.



---

To adjust:

1. Install a bur in the handpiece.
2. Locate the drive air gauge on the front of the unit and the drive air controls on the side of the unit.
3. Insert the hex key into the drive air control for the handpiece requiring adjustment.

---

**NOTE** Adjust the drive air control to meet the handpiece manufacturer's maximum dynamic drive air pressure specification.



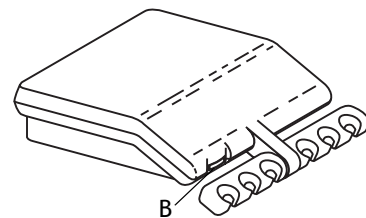
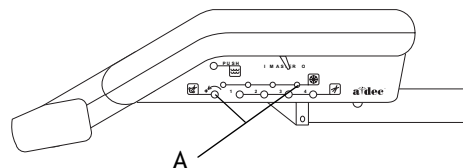
4. Turn the drive air control right until it seats. With the foot control disc fully depressed, turn the drive air control left until the handpiece runs at slightly above the specified drive air pressure; then, turn the control right until the handpiece runs at the specified drive air pressure.

---

**NOTE** Do not turn the control to the right beyond the point where the drive air pressure no longer increases. The control adjustment screw may come completely out of the unit.



5. Repeat Steps 1-4 for each handpiece.



(A) Drive Air Pressure Controls; (B) Drive Pressure Air Gauge

## Handpiece Coolant



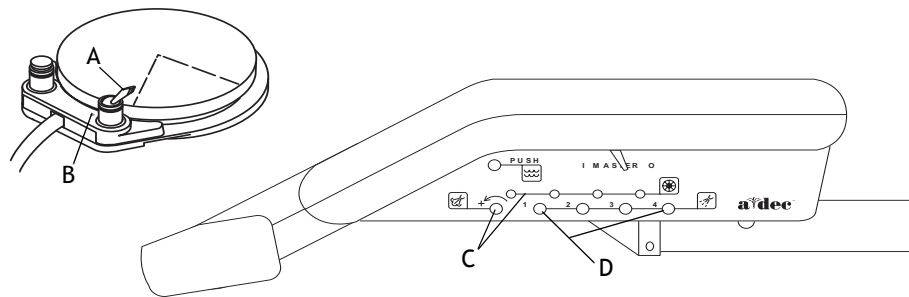
**NOTE** Use an adjustment key or 1/8" hex key to complete these adjustments.

To adjust handpiece coolant:

1. Install a bur in the handpiece.
2. Locate the coolant air control, the coolant water controls, and the wet/dry toggle on the foot control or coolant water on/off control on the touchpad.
3. Move the wet/dry toggle on the foot control to the off position (away from the blue dot.)
4. Insert an adjustment key into the coolant air control.
5. Turn right until the valve seats. Turn left 1-1/2 turns or until you achieve the desired air flow.
6. Insert the adjustment key into the coolant water control for the handpiece requiring adjustment and turn the control right until it seats softly.
7. Move the wet/dry toggle on the foot control to the on position.
8. While running the handpiece at medium speed, turn the handpiece coolant water control until a fine mist appears around the bur. Adjust coolant air and water flow until you achieve the desired cooling mist.
9. Repeat Steps 1, 6, 7 and 8 for each additional handpiece.



**NOTE** If you are unable to obtain proper air and coolant water flow, contact your authorized A-dec dealer for assistance.



(A) Wet/Dry Toggle; (B) Blue Dot; (C) Air Flow Controls; (D) Water Flow Controls

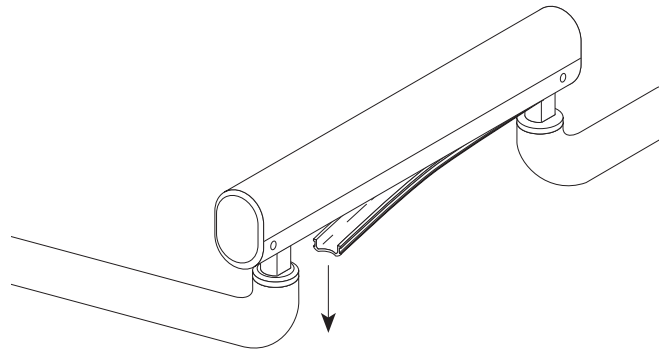
## Flexible Arm

A-dec's flexible arm system is designed for side delivery and over-the-patient delivery of the handpiece control. The arm allows vertical and horizontal positioning of the control head to suit your practice.

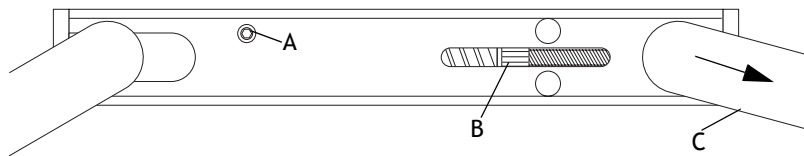
The arm brakes against vertical movement until you release the arm brake. The flexible arm contains a spring that counterbalances the weight of the control head. The arm also contains a friction mechanism to stabilize the arm at the upper and lower extremes of its vertical arc.

If the arm tends to rise or drop when the arm brake is released, adjust the counterbalance spring:

1. Remove the flexible vinyl cover from the underside of the arm. Gently pull the tubing and wiring in the arm slightly aside.



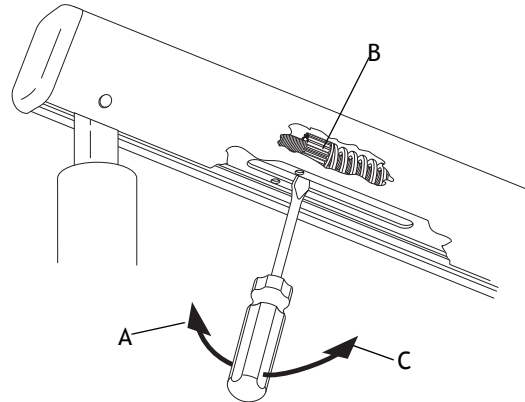
2. Raise the control head end of the flex arm until the friction adjustment socket head screw is accessible. Use a 5/32" hex key to loosen the friction adjustment screw.



(A) Friction Adjustment Access; (B) Spring Tension Adjustment Nut; (C) Control Head

If the arm tends to drop, use a flat-blade screwdriver to turn the spring tension adjustment nut right (as viewed from the control end of the arm.) If the arm tends to rise, turn the adjustment nut left.

While adjusting the spring tension, frequently move the arm through its vertical arc to see if it is adjusted properly.



(A) Move Screwdriver Handle in This Direction to Turn the Adjustment Nut to the Right; (B) Adjustment Nut; (C) Move Screwdriver Handle in This Direction to Turn the Adjustment Nut to the Left

3. When you are satisfied with the spring tension adjustment, move the arm alternately to the full up and full down positions, releasing the control head at each position.

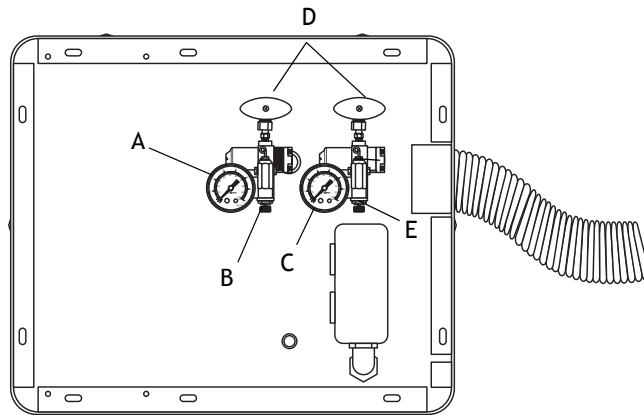
If the arm drops or rises when you let go of it, tighten the friction adjustment. Be careful not to overtighten the adjustment or you may damage the friction mechanism.

4. Reinstall the flexible vinyl cover. The cover snaps into place. Start by inserting one end of the cover into the arm and press it into place along the bottom of the arm.

## System Air and Water Pressure

The air and water pre-regulators are located in the floor box. Before making any adjustments, verify that the air compressor is turned on, and that it maintains 80–100 psi pressure in the tank. If the compressor does not maintain pressure, refer to the compressor instructions.

1. Be sure that the manual shutoff valves are fully open (left). Turn the system on and check the pressure gauges in the floor box. Air pressure should be 70–80 psi while water pressure should be 35–40 psi.
2. While watching the gauges, operate the syringe. If the system air pressure drops by any more than 15 psi, or water pressure by more than 10 psi, check for clogged filters.
3. To adjust either the air or water pressure, turn the appropriate pre-regulator knob right to increase pressure, or left to decrease.



(A) Water Pressure Gauge; (B) Water Pre-Regulator Knob; (C) Air Pressure Gauge;  
(D) Manual Shutoff Valves; (E) Air Pre-Regulator Knob



# MAINTENANCE

The following sections describe how to maintain components of the A-dec Radius Delivery System on Performer Chair, including:

## Delivery System

- Oil Collector
- Handpiece Tubing Flush
- Cuspidor

## Floor Box

- Air Filter
- Water Filter
- Water Screen

## Touch and Transfer Surfaces

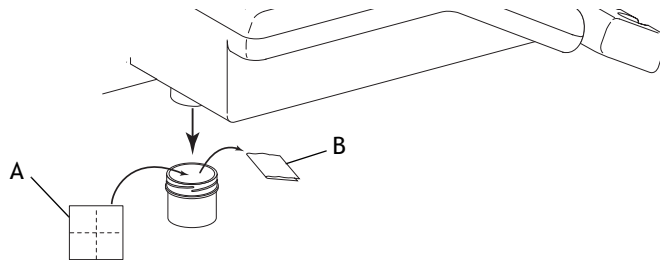
## Specifications

## Delivery System

### Oil Collector

Change the oil collector on your unit once a week for normal usage. Change more often after heavy use:

1. Remove oil collector jar from the unit and discard the old gauze.
2. Fold in quarters a new two-inch square gauze pad and place against the spring inside the jar.
3. Screw the oil collector jar onto the unit. Do not overtighten.



(A) New Gauze; (B) Old Gauze

## Handpiece Tubing Flush

A-dec's unique handpiece system flushes more water through the tubings in less time than is normally possible when operating the foot control only.



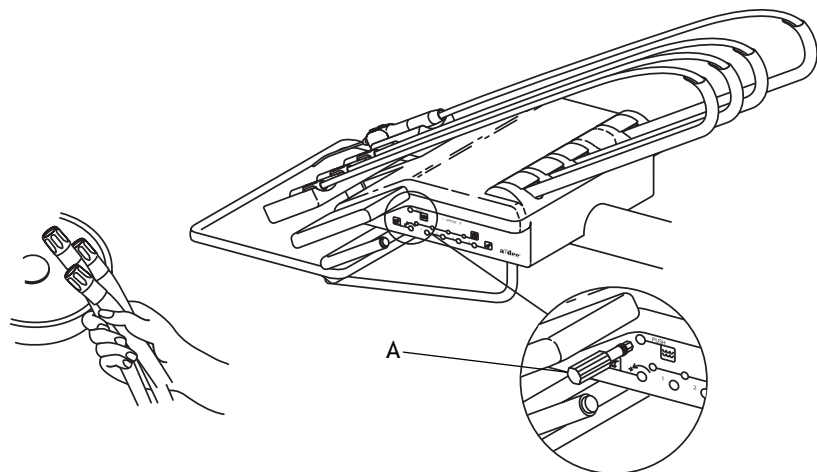
**NOTE** The handpieces should not be connected when flushing the tubings.

Flush the handpiece tubings:

- After each patient--flush the tubings for 20-30 seconds
- At the beginning of each day--flush the tubings for 2-3 minutes

To flush:

1. Gather up all the handpiece tubings that use coolant water and hold them over a sink, cuspidor bowl or basin. Be sure you hold the tubings so the water sprayed directs away from you and into the receptacle.
2. Insert an adjustment key or a 1/8" hex key into the handpiece tubing flush control on the side of the control head.
3. Push in and hold the adjustment key for the appropriate time required, either for flushing between patients or flushing at the beginning of the day.
4. Remove the adjustment key and replace the handpiece in their proper holders.



(A) Adjustment Key

## Cuspidor

The cuspidor is designed for quick and easy cleaning. The contoured spouts and the smooth cuspidor housing help facilitate more complete cleaning. When cleaning, do not remove spouts. This helps prevent cleaning solutions from causing potential equipment damage and contamination of the water flowing to the cup. Also, remember to empty and clean the bowl screen.

### Gravity Drain Cleaning

At the end of each day, flush the drain to remove debris which collects in the flexible drain tubing. If the drain is not flushed regularly, debris may build up and impair cuspidor draining. To flush the drain, raise the chair to its highest position and run the bowl rinse several times, long enough so that water flows down the drain for about 60 seconds.



**CAUTION** Do not empty the solids collector or bowl screens into your cuspidor. Doing so can plug the cuspidor drain. After cleaning, always install the bowl screen in the cuspidor bowl drain to prevent debris from plugging the drain.

---

## Floor Box

### Air and Water Filter Elements

Air and water pass through separate filters before entering the regulators. Replace a filter when it becomes sufficiently clogged causing restricted flow to the regulator.

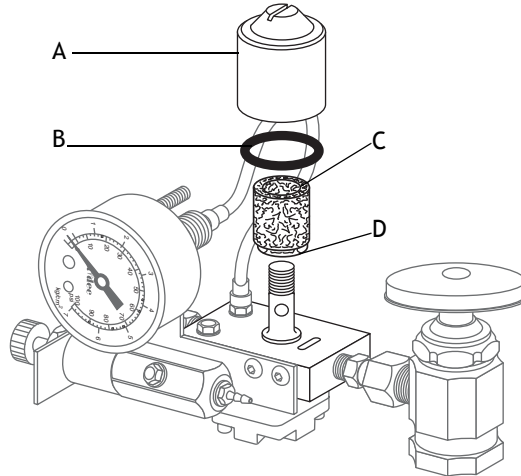
#### Inspecting the Filters

To inspect or replace a filter element:

1. Flip the master on-off toggle to the off position, then close the manual shutoff valves.
2. Bleed the system of air and water pressure by operating the syringe buttons until air and water no longer flow.
3. Using a standard (flat-blade) screwdriver, remove the filter housing from the air and/or water pre-regulators assemblies and remove the filter. If the filter is visibly clogged or discolored, you must replace it.



4. When installing a new filter, notice that one end of the filter has a beveled edge. Install the filter with the beveled edge facing the manifold. The system does not work properly if the filter is installed incorrectly.



(A) Filter Housing; (B) O-ring; (C) Filter Element; (D) Beveled Edge

### Checking for a Clogged Air Filter

To check for a clogged air filter:

1. Flip the master on-off toggle to the on position and remove the floor box cover.
2. While watching the air pressure gauge in the floor box, press the syringe air button. If the air pressure indicated by the gauge drops by more than 15 psi, the filter element is clogged and must be replaced.

### Checking for a Clogged Water Filter

To check for a clogged water filter:

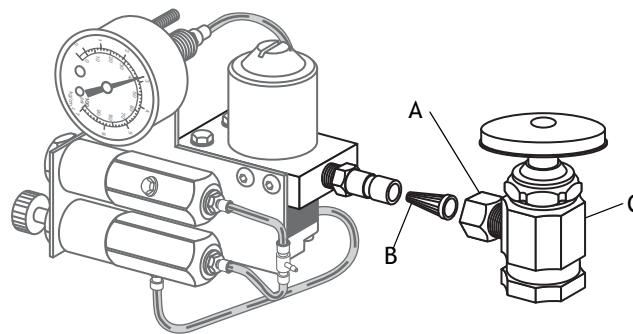
1. Flip the master on-off toggle on the control head to the on position, then remove the floor box cover.
2. Watch the water gauge, press the syringe water button. If the water pressure drops by more than 10 psi, the water filter is clogged and must be replaced.

## Water Screen

The manual water shutoff valve in your floor box has a screen to prevent debris from entering the system. Periodically check and replace this screen to ensure unrestricted water flow to your unit.

To remove or replace a screen:

1. Move the master on/off toggle to the off position and close the manual water shutoff valve.
2. Using a 5¼" or adjustable wrench, loosen the compression nut on the manual water shutoff valve and pull the water regulator out of the shutoff valve.
3. Remove the screen and install the replacement screen.
4. Reposition the water regulator in the manual shutoff valve outlet and tighten the compression nut.
5. Open the manual water shutoff valve and flip the master toggle to the on position.
6. Check the fittings for leaks.



(A) Compression Nut; (B) Screen (water only); (C) Water Manual Shutoff Valve

## Touch and Transfer Surfaces

Touch surfaces are those areas that require contact and become potential cross-contamination points during dental procedures. The minimum touch surface locations include the touchpad(s), control head brake handles, and dental light handles and switches.

Transfer surfaces are those surfaces that are contaminated by contact with instruments and other inanimate objects. The primary transfer surfaces include traditional holders, Continental instrument pad, and trays.

A-dec recommends barrier protection for all applicable touch and transfer surfaces. When used, barriers must be FDA market-cleared barrier plastic. Cover-All™ barrier film or any other FDA market-cleared barrier film is suitable for this application. Refer to your national regulatory authorities for barrier recommendations specific to your locale. Barrier plastics should be removed and discarded after each patient treatment.

For touch and transfer surfaces where barrier protection is not applicable or when barriers are compromised, please refer to A-dec's Equipment Asepsis Owner's Guide (P/N 85.0696.00) for recommendations on proper cleaning and chemical disinfection.

## Heat Sterilization

High volume evacuators (HVE), saliva ejectors (SE), and air/water syringes should be steam autoclaved between patients. Use the following protocol:

- HVE – steam autoclave at 134°C (273°F), 6 minutes holding time
- SE – steam autoclave at 134°C (273°F), 6 minutes holding time
- Air/Water Syringe - steam autoclave at 134°C (273°F), 4 minutes holding time

Discharge the syringe air and water lines for 20-30 seconds between each patient to reduce the chance of cross-contamination from potential bio-burden retraction.

# Specifications



**NOTE** Specifications are subject to change without notice. Any optional non-A-dec attachments and/or accessories must comply with EN 60601-1 and EN 60601-1-2.

Item	Specification
<b>Delivery System</b>	
Control Head Load Capacity	10 lbs. (4.54 kg)
<b>Optional Attachment Weight</b>	
Curing Light	3 lbs. (1.36 kg)
Scaler	2 lbs. (.91 kg)
Intraoral Light Source	1 lb. (.45 kg)
Tooth Dryer	1 lb. (.45 kg)
Touchpad	.5 lbs. (.23 kg)
<b>Minimum service requirements for proper unit operation:</b>	
Air	2.50 cfm (70.80 l/min) at 80 psi (551 kPa)
Water	1.50 gpm (5.68 l/min) at 40 psi (276 kPa)
Vacuum	12 cfm (339.84 l/min) at 8 inches (27 kPa) of mercury
<b>Electrical</b>	
	220 - 240VAC (50 - 60 Hz)
	5 Amps maximum





**A-dec Headquarters**

2601 Crestview Drive  
Newberg, OR 97132 USA  
Tel: 1.800.547.1883 Within USA/Canada  
Tel: 1.503.538.7478 Outside USA/Canada  
Fax: 1.503.538.0276  
[www.a-dec.com](http://www.a-dec.com)

*International Distribution Centers*

**A-dec United Kingdom**

*Authorized EU Representative*  
Austin House, 11 Liberty Way  
Nuneaton, Warwickshire CV11 6RZ  
England  
Tel: 0800 ADECUK (233285) Within UK  
Tel: +44 (0) 24 7635 0901 Outside UK  
[www.a-dec.co.uk](http://www.a-dec.co.uk)

**A-dec Australia**

Unit 8, 5-9 Ricketty Street  
Mascot, NSW 2020  
Australia  
Tel: 1.800.225.010 Within Australia  
Tel: +61 (0)2 8332 4000 Outside Australia  
[www.a-dec.com.au](http://www.a-dec.com.au)

CE  
0843



86.0618.00 Rev B  
Copyright 2006 A-dec Inc.  
All rights reserved.