

# Instructions for Use

# Performer<sup>®</sup> III Dental Chair

## Copyright

© 2014 A-dec Inc. All rights reserved.

A-dec Inc. makes no warranty of any kind with regard to this material, including, but not limited to, the implied warranties of merchantability and fitness for a particular purpose. A-dec Inc. shall not be held liable for any errors contained herein or any consequential or other damages concerning the furnishing, performance or use of this material. The information in this document is subject to change without notice. If you find any problems in the documentation, please report them to us in writing. A-dec Inc. does not warrant that this document is error-free.

No part of this document may be copied, reproduced, altered, or transmitted in any form or by any means, electronic or mechanical, including photocopying, recording, or by any information storage and retrieval system, without prior written permission from A-dec Inc.

## Trademarks and Additional Intellectual Property Rights

A-dec, the A-dec logo, A-dec 500, A-dec 300, Cascade, Cascade Master Series, Century Plus, Continental, Decade, ICX, ICV, Performer, Preference, Preference Collection, Preference ICC, and Radius are trademarks of A-dec Inc. and are registered in the United States and other countries. A-dec 400, A-dec 200, Preference Slimline, and reliablecreativesolutions are also trademarks of A-dec Inc. None of the trademarks or trade names in this document may be reproduced, copied, or manipulated in any manner without the express, written approval of the trademark owner.

Certain touchpad symbols are proprietary to A-dec Inc. Any use of these symbols, in whole or in part, without the express written consent of A-dec Inc., is strictly prohibited.

## Regulatory Information

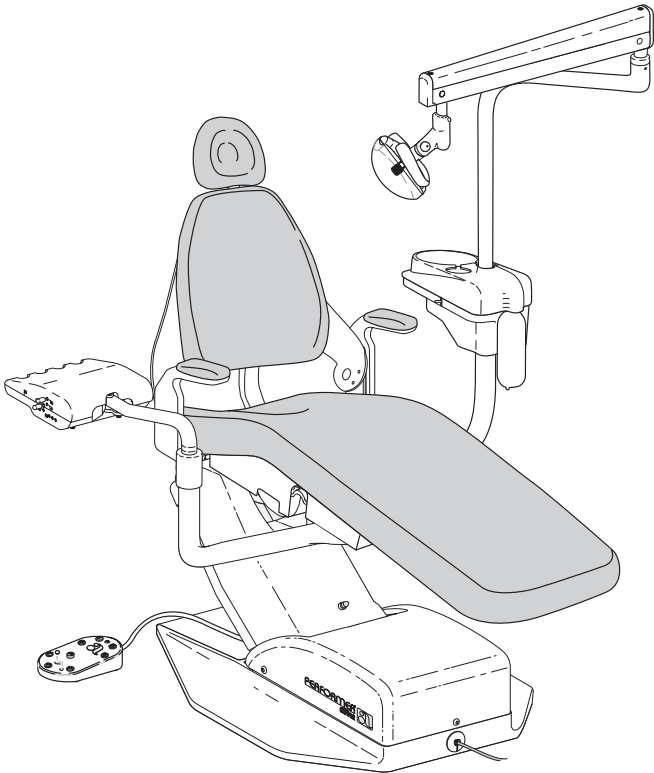
Regulatory information mandated by agency requirements is provided in the *Regulatory Information, Specifications, and Warranty* document (p/n 86.0221.00), which is available in the Document Library at [www.a-dec.com](http://www.a-dec.com).

## Product Service

Product service is available through your local authorized A-dec dealer. For service information, or to locate an authorized dealer, contact A-dec at 1.800.547.1883 in the USA and Canada or 1.503.538.7478 worldwide, or visit [www.a-dec.com](http://www.a-dec.com).

## Warranty

Warranty information is provided in the *Regulatory Information, Specifications, and Warranty* document (p/n 86.0221.00), which is available in the Document Library at [www.a-dec.com](http://www.a-dec.com).



Performer III Dental Chair

## Contents

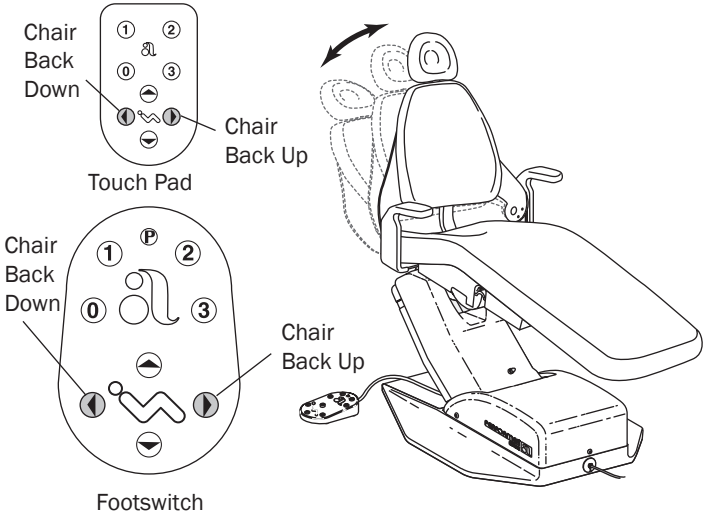
Performer III Dental Chair.....	1
Back Positioning .....	1
Seat Positioning .....	1
Programming Positions 0, 1, or 2.....	2
Programming Position 3.....	3
Chair LED .....	3
Chair Stop Plate .....	4
Headrest Positioning .....	5
Headrest Glide Bar Tension Adjustment.....	5
Upholstery Replacement.....	6
Master Toggle .....	8
Foot Control, Wet/Dry Toggle.....	8
Drive Air Adjustment .....	9
Coolant Air Adjustment .....	10
Coolant Water Adjustment .....	10
Handpiece Tubing Flush.....	11
Handpiece Oil Collector, Cleaning.....	12
Handpiece Control Adjustments .....	12
Pivot Point Tension Adjustment .....	13
A-dec Autoclavable Syringe.....	14
Using the Autoclavable Syringe.....	14
Syringe Flow Adjustments.....	14
Performer Cuspidor .....	15
Cup Fill.....	15
Bowl Rinse .....	15
Cuspidor Bowl Rinse Flow Adjustment .....	16
Assistant's Instrumentation .....	17
Autoclavable HVE.....	17
Autoclavable Saliva Ejector.....	17
HVE Screen.....	17
Performer Assistant's Arm .....	18
Holder Tension Adjustment .....	18
Swivel Tension Adjustment.....	18

## Contents *(continued)*

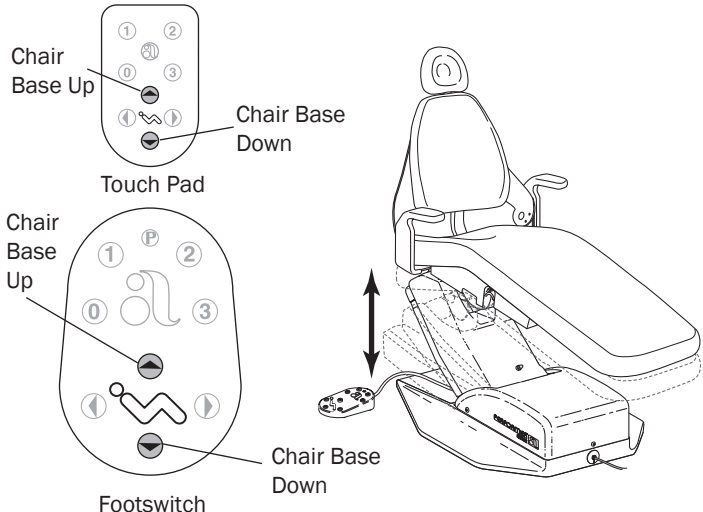
Performer Accessory Tray Holder .....	19
Tray Holder Height Adjustment.....	19
Swivel Tension Adjustment.....	19
Performer Dental Light .....	20
Dental Light On/Off Toggle.....	20
Dental Light Intensity Switch .....	20
Light Head Positioning.....	20
Dental Light Bulb Replacement .....	21
Light Head Pivot Adjustment .....	21
Floor Box .....	22
Air Filter Element Replacement .....	22
Water Screen Replacement .....	22
Accessories.....	23
Bitewing Viewer .....	23
Bitewing Viewer Bulb Replacement .....	23
80 Watt Power Supply .....	23
Fiber-Optic Bulb Replacement .....	24
Dual HVE.....	24
Clean / Maintain.....	25
Barrier Protection .....	25
Specifications .....	26

# Performer III Dental Chair

## Back Positioning



## Seat Positioning

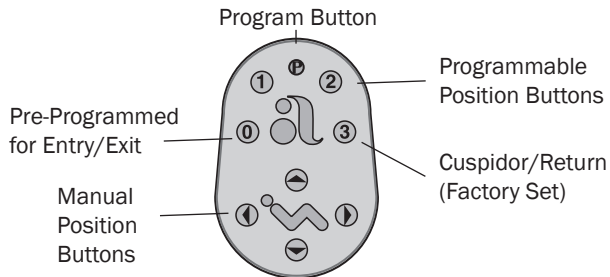


## Programming Positions 0, 1, or 2

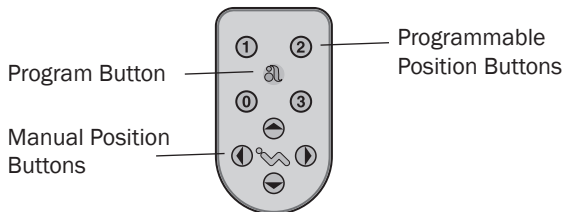
### Note

Please follow standard patient care precautions when using the chair preset position functions. Always take extra care with small children and patients with limited mobility.

To stop the chair at any point, push any chair positioning button on the footswitch or touchpad.



Chair Footswitch



Chair Touch Pad

To program positions 0, 1, or 2:

1. Move the chair to the desired operating position.
2. Press the program button. A tone will sound.
3. Press the programmable position button for the desired setting (0, 1, or 2) within 4 seconds.

A tone will sound 3 times confirming the position has been reprogrammed.

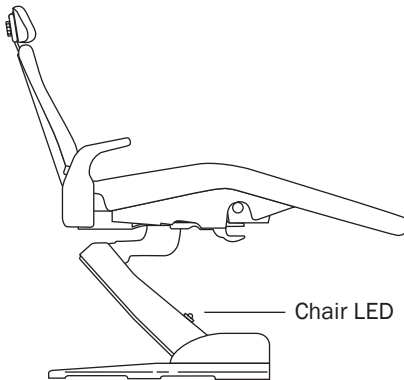


## Programming Position 3

Position 3 is factory set in the cuspidor/return mode. Pressing the position 3 button moves the chair back up allowing patient access to the cuspidor. Pressing the position 3 button a second time returns the patient to the previous operating position.

Contact an authorized A-dec dealer to have position 3 reconfigured to a third pre-position or as a last position recall.

## Chair LED

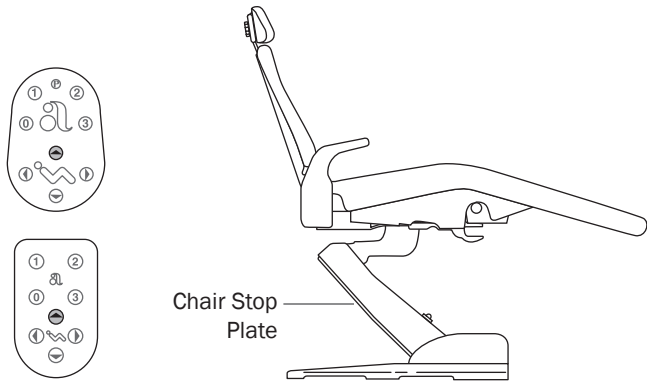


The chair LED indicates the status of the chair:

On: Normal operation.

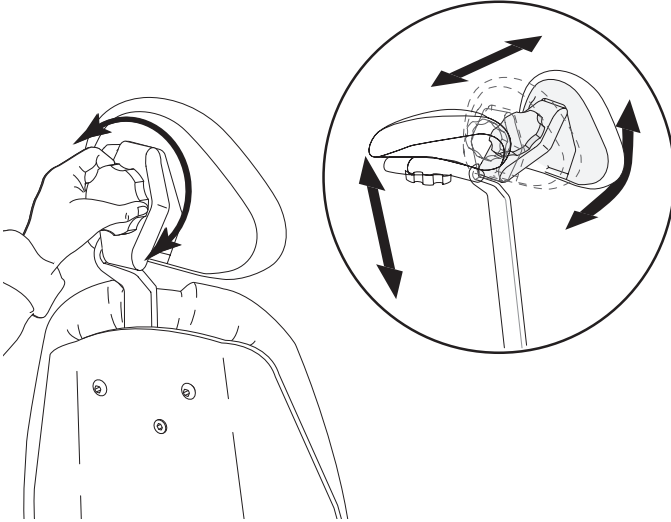
Slow Blink: The cuspidor or stop plate limit switches have been activated. Remove any obstructing object.

## Chair Stop Plate

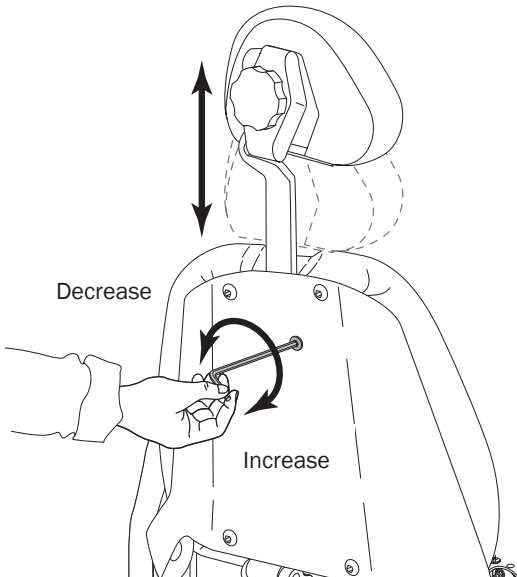


The chair stop plate stops the chair immediately when any part of it is pressed. Should anything inadvertently become lodged under the chair, press Base Up on the footswitch or touch pad to raise the chair so the object can be removed. As long as pressure is applied to the stop plate, the chair base will not go down any further.

## Headrest Positioning

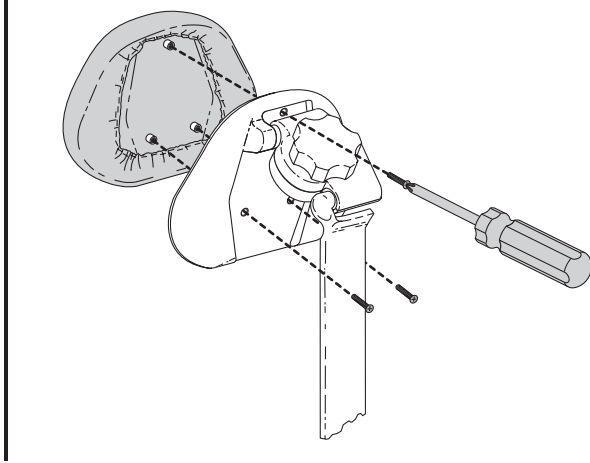


## Headrest Glide Bar Tension Adjustment

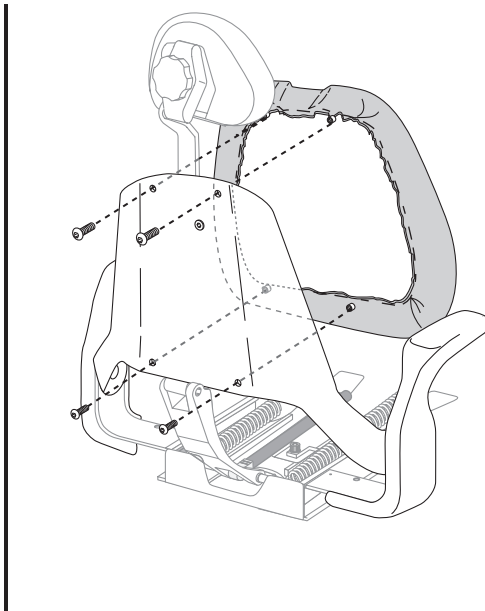


## Upholstery Replacement

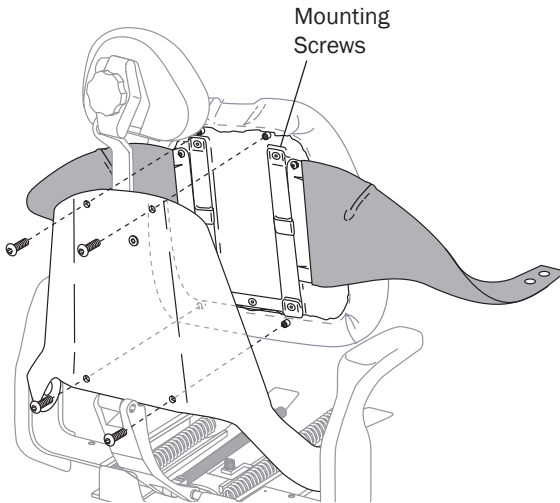
### Double-Articulating Headrest Upholstery



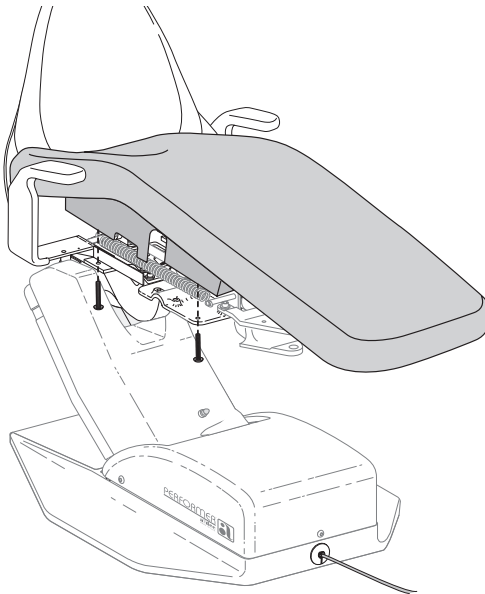
### Backrest Upholstery/Armrest Caps



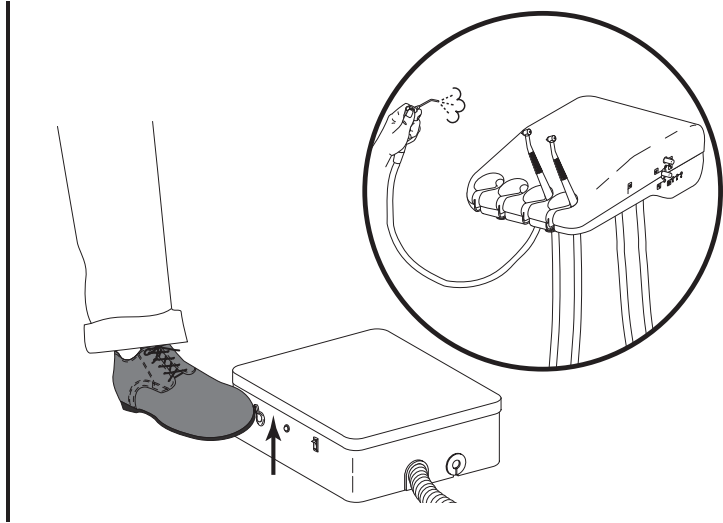
Narrow Backrest Upholstery with Slings



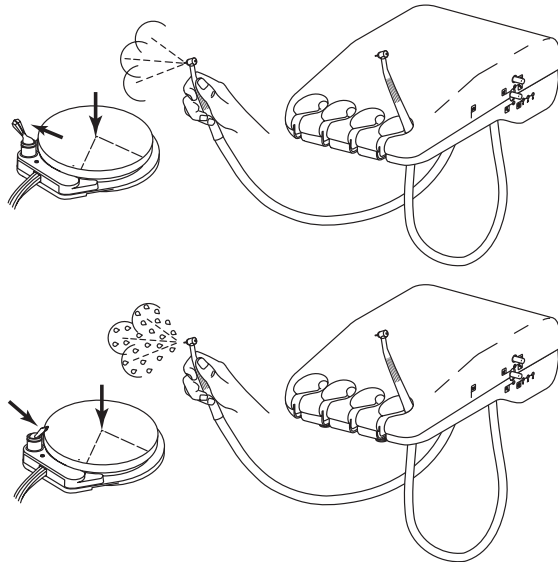
Seat/Toeboard Upholstery



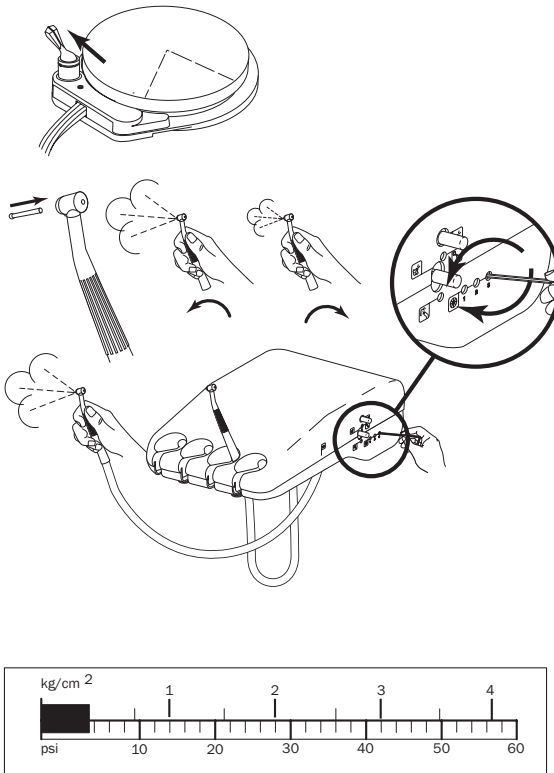
## Master Toggle



## Foot Control, Wet/Dry Toggle



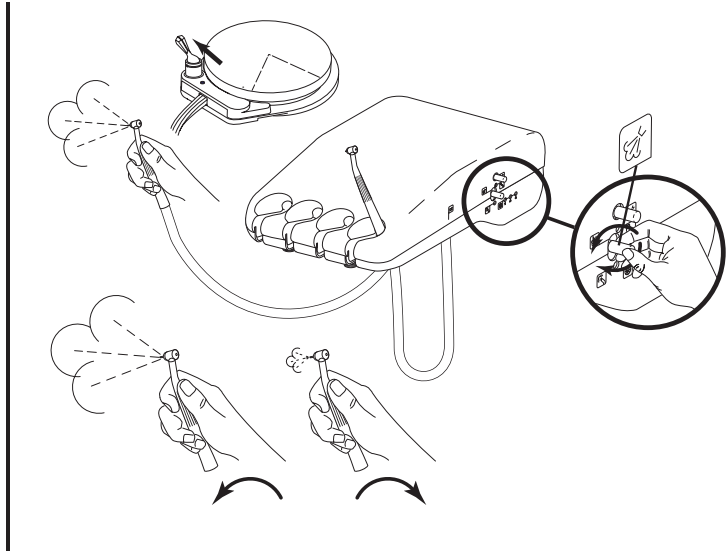
## Drive Air Adjustment



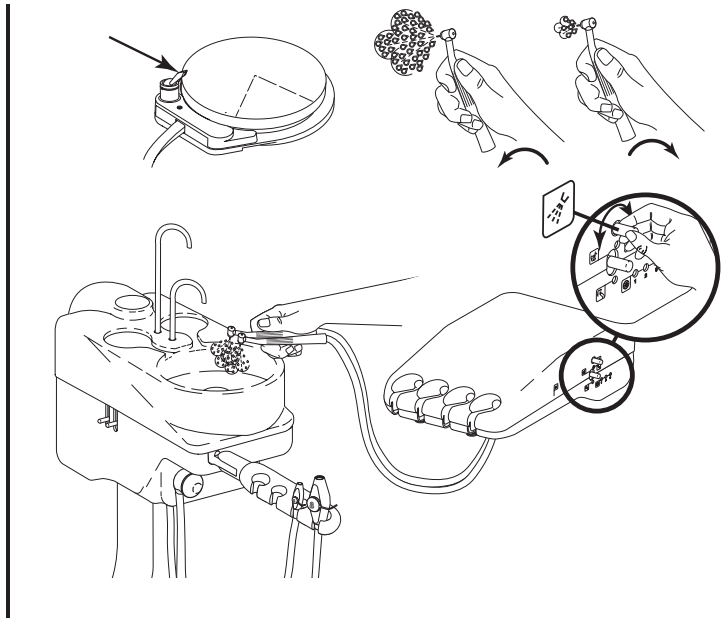
### Note

The drive air control must be adjusted to meet the handpiece manufacturer's drive air pressure specification. Refer to the documentation that came with your handpiece for drive air pressure.

### Coolant Air Adjustment

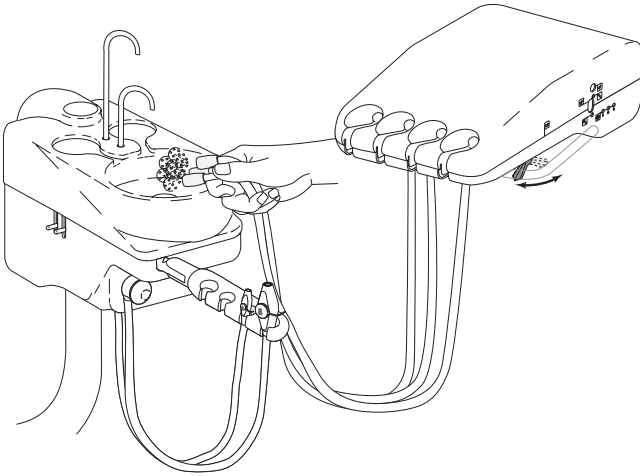


### Coolant Water Adjustment





## Handpiece Tubing Flush



The handpiece tubing flush system flushes more water through the tubings in less time than is normally possible when operating the foot control only. The handpieces should not be connected when flushing the tubings.

### How Often Should the Handpiece Tubings Be Flushed?

After each patient:

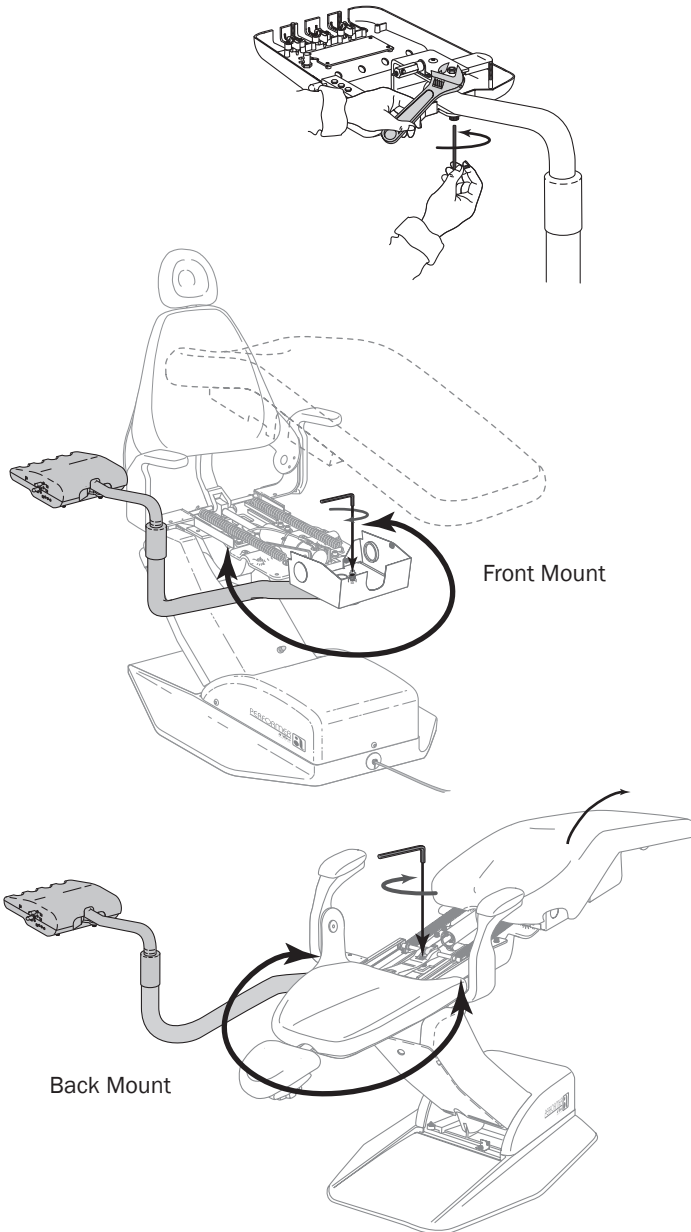
Flush the tubings for about 20 - 30 seconds.

At the beginning of each day:

Flush the tubings for 2 - 3 minutes.

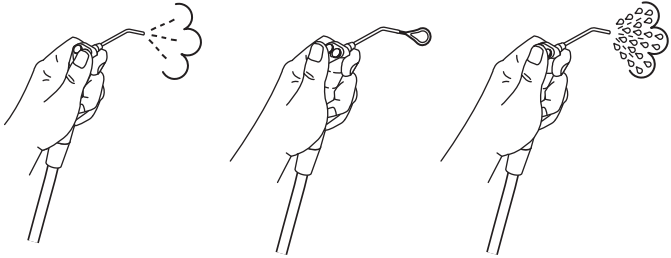


## Pivot Point Tension Adjustment

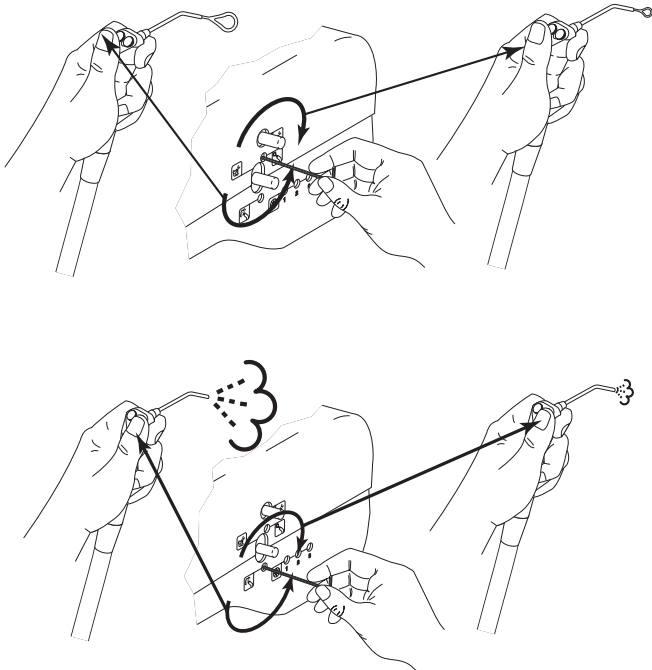


## A-dec Autoclavable Syringe

### Using the Autoclavable Syringe

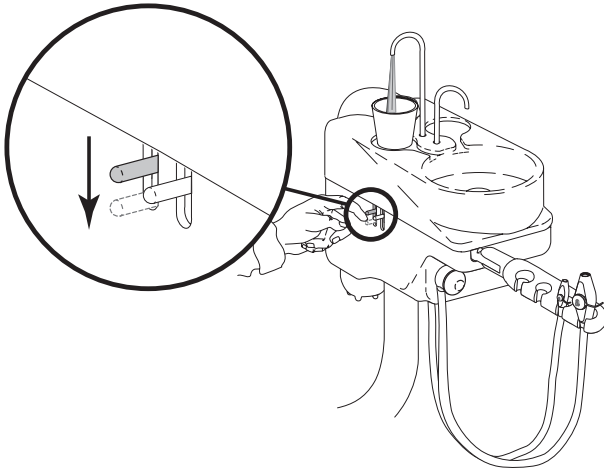


### Syringe Flow Adjustments

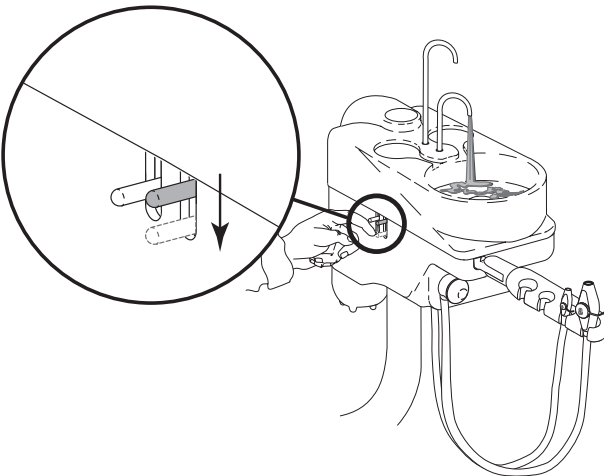


## Performer Cuspidor

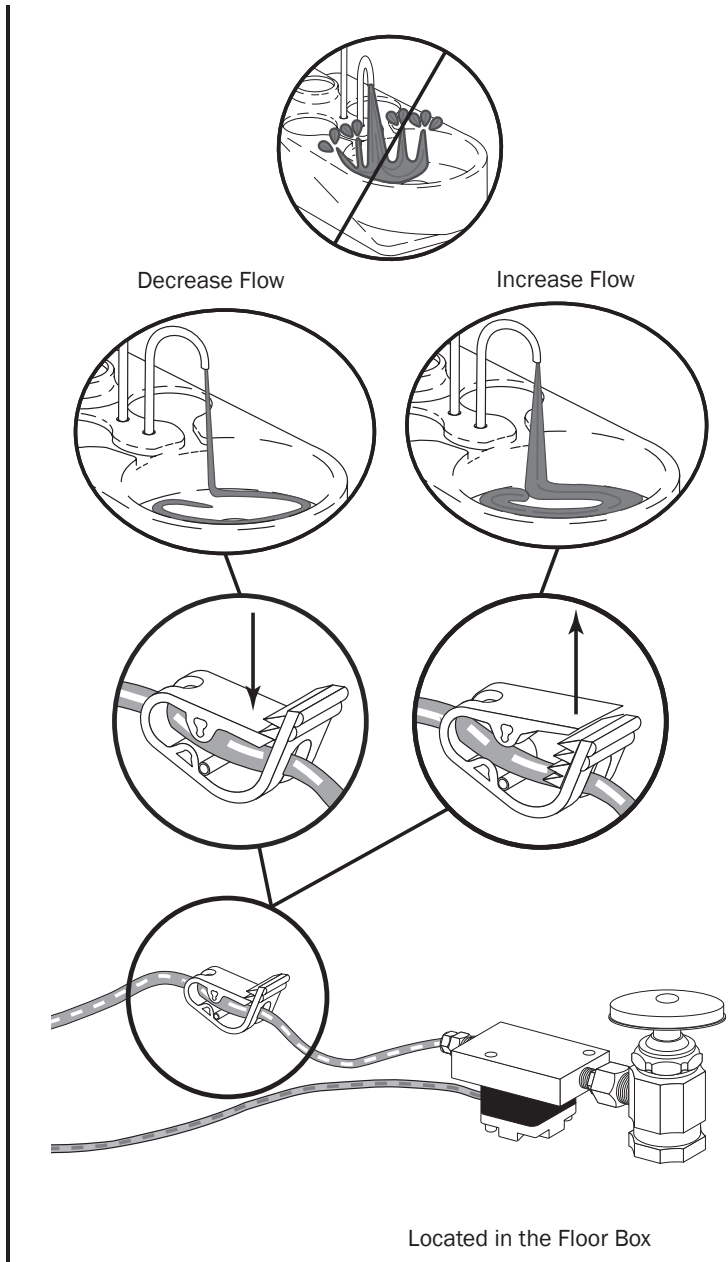
### Cup Fill



### Bowl Rinse

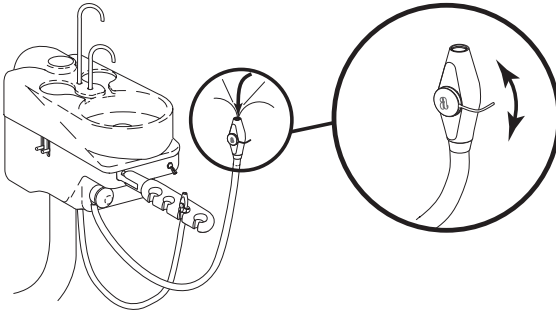


## Cuspidor Bowl Rinse Flow Adjustment

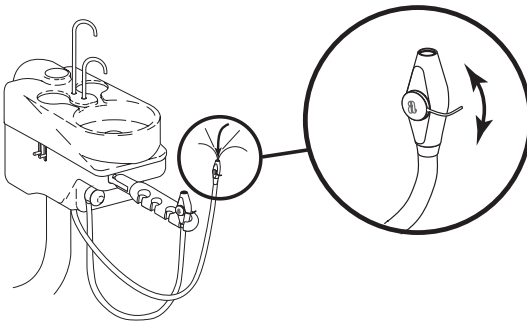


## Assistant's Instrumentation

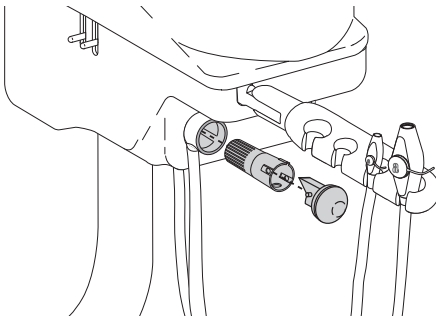
### Autoclavable HVE



### Autoclavable Saliva Ejector

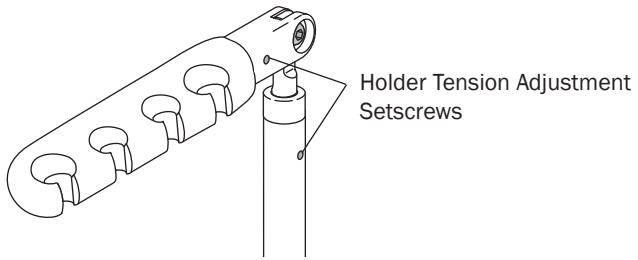


### HVE Screen

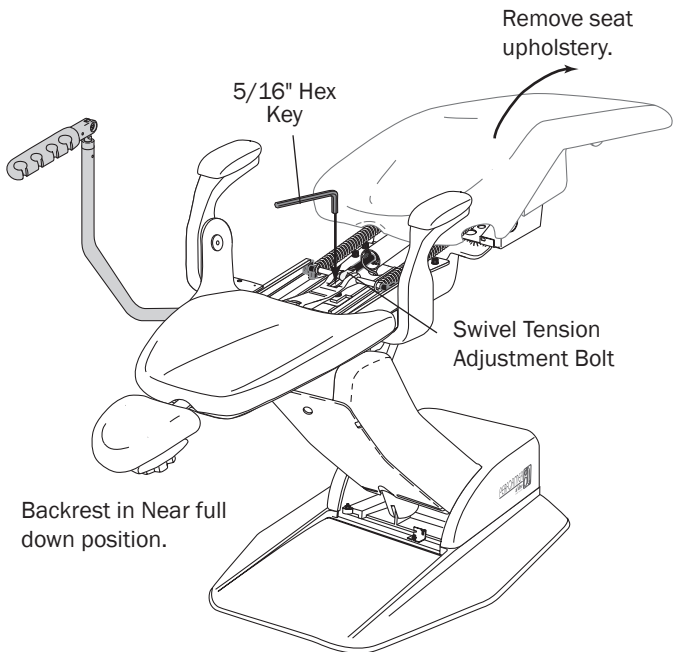


## Performer Assistant's Arm

### Holder Tension Adjustment



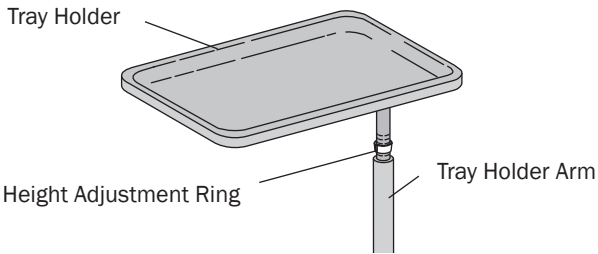
### Swivel Tension Adjustment





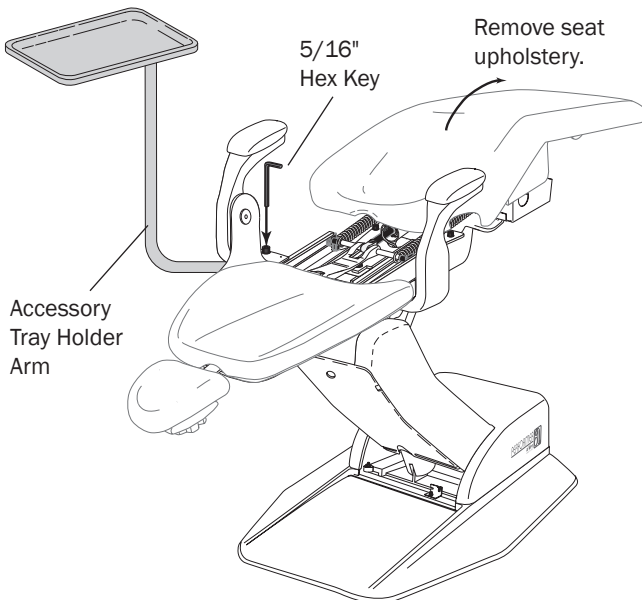
## Performer Accessory Tray Holder

### Tray Holder Height Adjustment



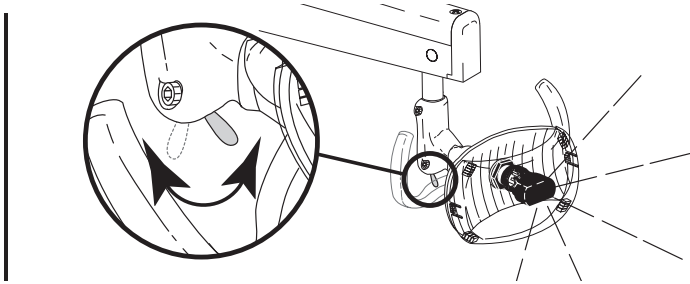
1. Lift the tray holder to access the height adjustment ring.
2. Slide the height adjustment ring to desired position.
3. Lower the tray holder onto the arm.

### Swivel Tension Adjustment

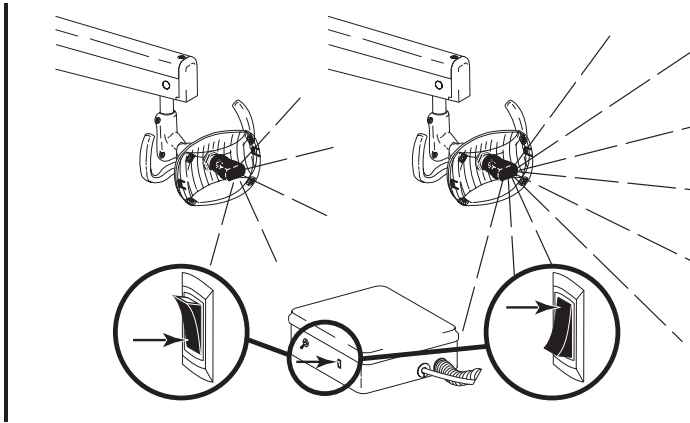


## Performer Dental Light

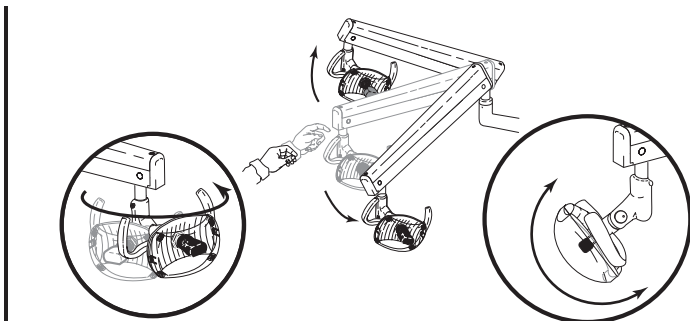
### Dental Light On/Off Toggle



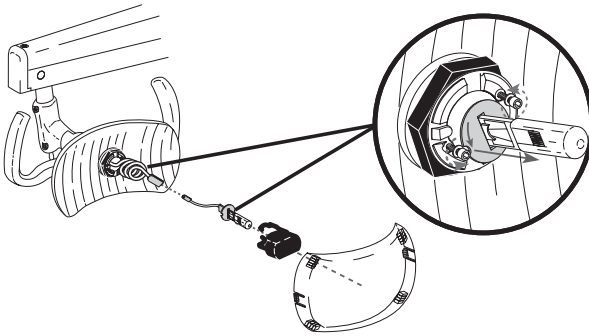
### Dental Light Intensity Switch



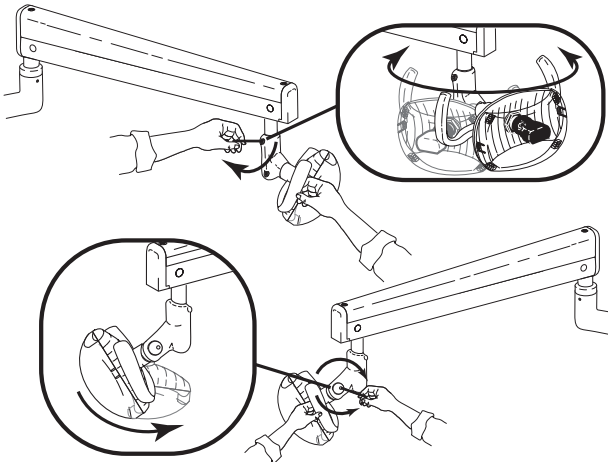
### Light Head Positioning



## Dental Light Bulb Replacement

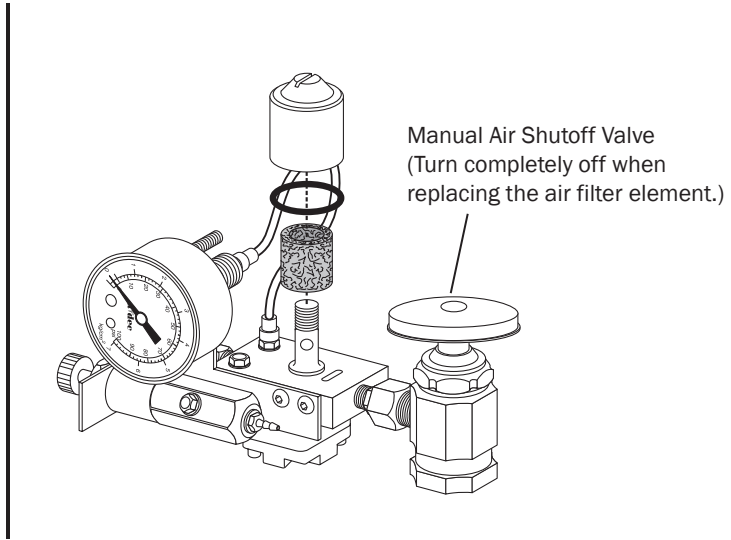


## Light Head Pivot Adjustment

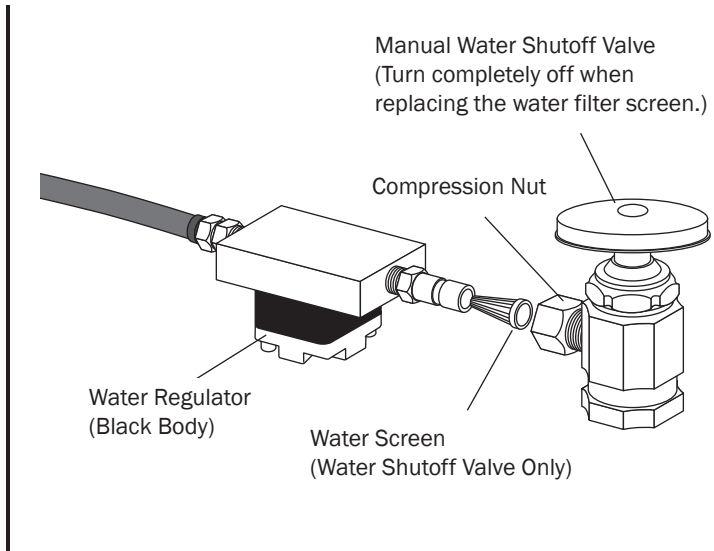


## Floor Box

### Air Filter Element Replacement

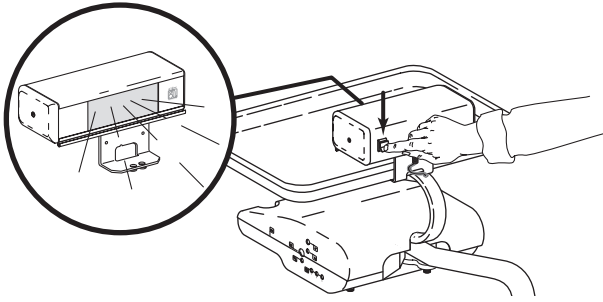


### Water Screen Replacement

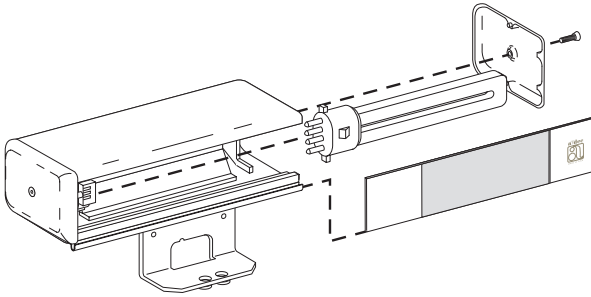


## Accessories

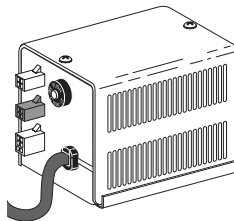
### Bitewing Viewer



### Bitewing Viewer Bulb Replacement



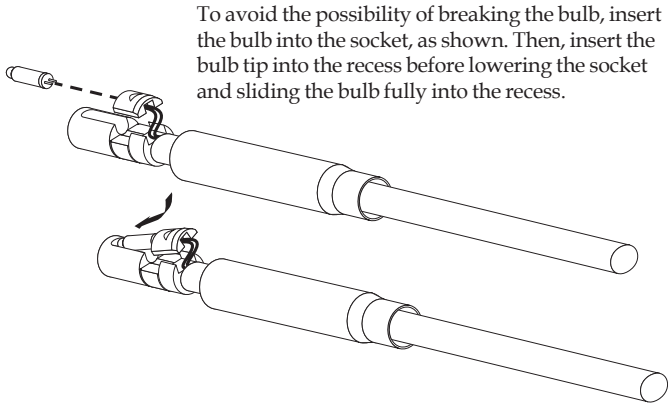
### 80 Watt Power Supply



#### Note

No cleaning or maintenance is required. If the floor box has an indicator light, it will illuminate when the power supply is plugged in.

## Fiber-Optic Bulb Replacement

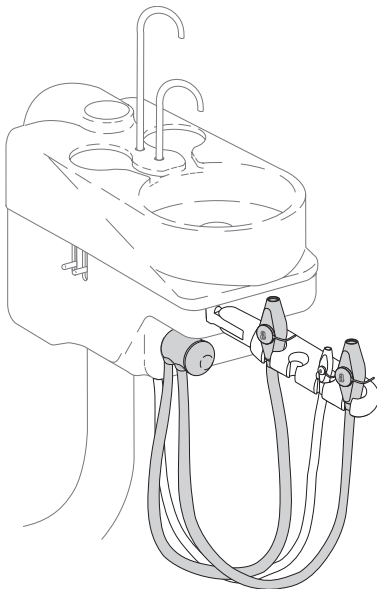


To avoid the possibility of breaking the bulb, insert the bulb into the socket, as shown. Then, insert the bulb tip into the recess before lowering the socket and sliding the bulb fully into the recess.

### Note

Take care not to break the bulb when inserting it into the bulb recess.

## Dual HVE



## Clean / Maintain

### Barrier Protection

A-dec recommends barrier protection for all applicable touch and transfer surfaces. Touch surfaces are areas that come into contact with hands and become potential cross-contamination points during dental procedures. Transfer surfaces are areas that come into contact with instruments and other inanimate objects.

In the USA, barriers must be produced under the Current Good Manufacturing Practice (CGMP) as specified by the U.S. Food and Drug Administration (USFDA). For regions outside the USA, refer to the medical device regulations specific to your location.



Danger

#### Danger

If you use barriers, always replace the barrier film after each patient.



#### Important

For recommendations on cleaning and chemical disinfection of touch and transfer surfaces (where barrier protection is not applicable or when barriers are compromised), please see the *A-dec Equipment Asepsis Guide* (p/n 85.0696.00).

Refer to the following documents for more maintenance information:

<i>A-dec Syringes Instructions for Use</i> .....	85.0680.00
<i>A-dec Equipment Maintenance Checklist</i> .....	86.0600.00
<i>A-dec Self-Contained Water System Instructions for Use</i> .....	86.0609.00

## Specifications

### Note

Specifications are subject to change without notice. Requirements may vary depending on your location. For more information, contact your authorized A-dec dealer.

Minimum service requirements for proper unit operation:

Air:	2.50 cfm (70.80 L/min) at 80 psi (551 kPa)
Water:	1.50 gpm (5.68 L/min) at 40 psi (276 kPa)
Vacuum:	12 cfm (339.84 L/min) at 8 inHg (27 kPa)

Maximum weight specifications:

Control head:	55 lb (30 kg)
Cuspidor and dental light:	27 lb (12.25 kg)
Tray holder (optional):	12 lb (5.44 kg)
Scaler (optional):	2 lb (0.91 kg)

Chair Capacity:

Patient Load:	400 lb (182 kg) maximum
Accessory Load:	150 lb (68 kg) maximum

### Important

For chair accessory load capacity, electrical specifications, identification of symbols, and other regulatory requirements, see the *Regulatory Information, Specifications, and Warranty* document (p/n 86.0221.00), which is available in the Document Library at [www.a-dec.com](http://www.a-dec.com).











### **A-dec Headquarters**

2601 Crestview Drive  
Newberg, Oregon 97132  
United States

Tel: 1.800.547.1883 within USA/CAN  
Tel: +1.503.538.7478 outside USA/CAN  
Fax: 1.503.538.0276  
[www.a-dec.com](http://www.a-dec.com)

### **A-dec Australia**

Unit 8  
5-9 Ricketty Street  
Mascot, NSW 2020  
Australia

Tel: 1.800.225.010 within AUS  
Tel: +61.(0).2.8332.4000 outside AUS

### **A-dec China**

A-dec (Hangzhou) Dental Equipment Co., Ltd.  
528 Shunfeng Road  
Qianjiang Economic Development Zone  
Hangzhou 311106  
Zhejiang, China  
Tel: +1.503.538.7478

### **A-dec United Kingdom**

Austin House, 11 Liberty Way  
Nuneaton, Warwickshire CV11 6RZ  
England

Tel: 0800.ADEC.UK (2332.85) within UK  
Tel: +44.(0).24.7635.0901 outside UK

