



---

# OPERATION AND MAINTENANCE INSTRUCTIONS

---

---

## DOUBLE ARTICULATING HEADREST

---

# Contents

## OPERATION

About Your Double Articulating Headrest.....	2
Positioning the Headrest .....	3
Wheelchair Use .....	4
Care Instructions .....	5

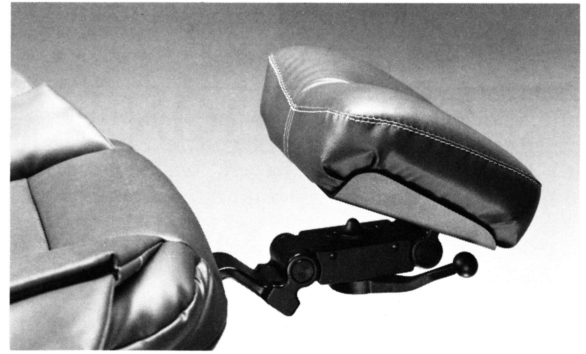
## MAINTENANCE

Adjustments .....	6
Headrest Glidebar Adjustment .....	6
Pivot Tension Adjustment .....	7
Right/Left Conversion .....	8
Repair Information.....	8

### Warranty

A-dec warrants its products against defects in material or workmanship for one year from time of delivery (except for handpieces which have a warranty period of six months). A-dec's sole obligation under the warranty is to provide parts for the repair, or at its option, to provide the replacement product (excluding labor). The buyer shall have no other remedy. (All special, incidental, and coincidental damages are excluded.) Written notice of breach of warranty must be given to A-dec within the warranty period. The warranty does not cover damage resulting from improper installation or maintenance, accident or misuse. The warranty also does not cover light bulbs. Failure to follow instructions provided in A-dec's Operation and Maintenance Instructions may void the warranty.

NO OTHER WARRANTIES AS TO MERCHANTABILITY OR OTHERWISE ARE MADE.



## DOUBLE ARTICULATING HEADREST

Your new A-dec Double Articulating Headrest was designed to provide many years of reliable service, while demanding a minimum amount of attention. As is the case with any precision instrument, however, a certain amount of care is required to ensure that you receive the best and longest service from your equipment.

This booklet covers the operation and maintenance of your headrest, and it is divided in two parts. The first part, **Operation**, describes headrest features and use. We suggest that you read through this section to become thoroughly familiar with your headrest and its care. The second part, **Maintenance**, tells you what to do if you suspect that the headrest is not functioning properly.

# OPERATION

## About Your Double Articulating Headrest

Your A-dec Double Articulating Headrest is designed to offer the widest range of headrest positions possible. The convenient locking handle allows you to easily adjust the headrest for a full range of positions to accommodate most patients and procedures.

The double articulating headrest may be used in a backward position to accommodate wheelchair patients.

## Positioning the Headrest

A locking handle is used to apply and release tension on the two pivot joints for headrest adjustment. Turn the locking handle counter-clockwise to release tension on the pivots and allow adjustment of the headrest. Turn the locking handle clockwise to apply pressure on the pivots and lock the headrest in its adjusted position (see Figure 1).

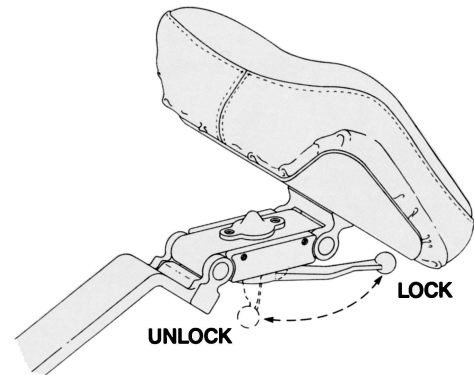


Figure 1. Locking Mechanism

## Wheelchair Use

The A-dec Double Articulating Headrest can be used for wheelchair-bound patients:

- Slide the headrest up until it is free from the chair, turn it 180°, then slide it back into the backrest and push it all the way down. Run the chair to its full back up position. Adjust the headrest height by moving the chair up or down with the base UP/DOWN switch, then position the headrest as desired (see Figure 2).

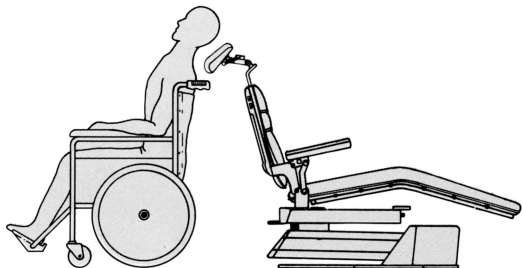


Figure 2. Wheelchair Use

4

## Care Instructions

### Cleaning the Upholstery

FOR LIGHTLY SOILED AREAS use a foam-type upholstery cleaner on both the fabric and vinyl. Be careful not to saturate the fabric upholstery with water.

FOR HEAVILY-SOILED AREAS use a dry cleaning fluid such as Energine®, Renuzit®, etc., to clean the fabric upholstery. Avoid getting this fluid on the vinyl. Allow adequate drying time before using the headrest, as any cleaner left in the upholstery or cushion may cause skin irritation.

In the case of stubborn or imbedded dirt in the grain of the vinyl, use a fingernail brush or other soft bristle brush with a mild soap and water solution.

### Cleaning the Metal Surfaces

All external metal surfaces may be cleaned using a solution of liquid detergent. **Never use abrasive cleaners or scrubbing pads;** these will damage the finish.

5

---

# MAINTENANCE

---

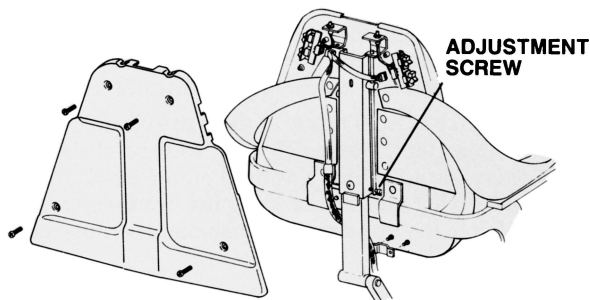


Figure 3. Adjusting the Glide Bar Tension

## Adjustments

### Headrest Glide Bar Adjustment

If your Double Articulating Headrest slides down by itself, you must adjust the glide bar tension (see Figure 3).

Remove the four phillips screws that hold the backrest cover in place then remove the cover. Use a 7/64-inch hex key to turn the glide bar adjustment screw clockwise until the desired tension is achieved. Replace the backrest cover.

6

### Pivot Tension Adjustment

The pivot tension is factory adjusted for typical use. However, if your headrest is difficult to adjust or moves too freely, the pivot joint tension may be adjusted as outlined below.

To change headrest positioning tension —

You will need: a flat-blade screwdriver  
a 1/16-inch hex key  
a 3/32-inch hex key

1. Release the headrest locking lever then, raise the headrest cover away from the pivot body assembly (see figure 4).
2. Remove the two screws and side plate from the side opposite the locking lever. Use the 3/32-inch hex key to loosen the setscrew under the side plate.
3. Use the 1/16-inch hex key to remove the headrest cover bumper. Then use the screwdriver to adjust the locking nut under the bumper. Turn the locking nut clockwise to increase the pivot tension and counter-clockwise to reduce the pivot tension.
4. Tighten the setscrew, then replace the side plate and the bumper.

7

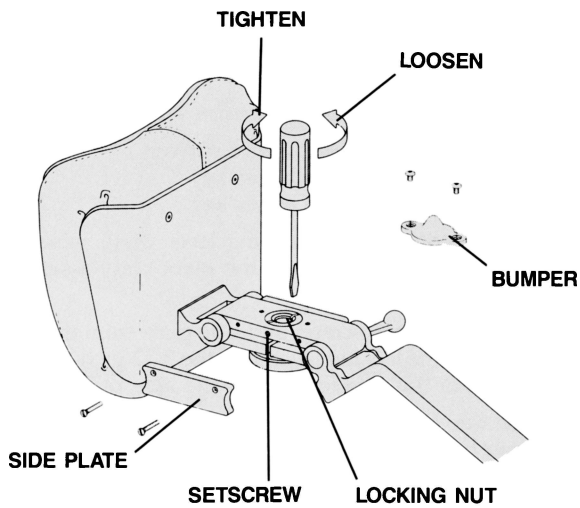


Figure 4. Adjusting the Pivot Tension

## Right/Left Conversion

Your double articulating headrest can be converted for opposite-hand operation. It is beyond the scope of this operation manual to include the right/left conversion instructions. If you want to convert your headrest please contact your Authorized A-dec Dealer or call A-dec Customer Service and request, free of charge, publication number 85-0321-00.

## Repair Information

Your double articulating headrest was designed as a maintenance-free device. The two pivot joints utilize factory installed bronze oilite bushings to ensure trouble-free smooth operation. In the unlikely event that you do damage, break or lose any of the headrest parts, consult your Authorized A-dec Dealer.

**a dec<sup>®</sup>**

2601 Crestview Drive  
 Newberg, OR 97132 USA  
 Phone: 800/547-1883  
 503/538-7478  
 Fax: 503/538-0276

