

Instructions for Use

Cascade[®] 2615 Cart

Copyright

© 2016 A-dec Inc. All rights reserved.

A-dec Inc. makes no warranty of any kind with regard to this material, including, but not limited to, the implied warranties of merchantability and fitness for a particular purpose. A-dec Inc. shall not be held liable for any errors contained herein or any consequential or other damages concerning the furnishing, performance or use of this material. The information in this document is subject to change without notice. If you find any problems in the documentation, please report them to us in writing. A-dec Inc. does not warrant that this document is error-free.

No part of this document may be copied, reproduced, altered, or transmitted in any form or by any means, electronic or mechanical, including photocopying, recording, or by any information storage and retrieval system, without prior written permission from A-dec Inc.

Trademarks and Additional Intellectual Property Rights

A-dec, the A-dec logo, A-dec 300, Cascade, Cascade Master Series, Century Plus, Continental, Decade, ICX, ICV, Performer, Preference, Preference Collection, Preference ICC, and Radius are trademarks of A-dec Inc. and are registered in the United States and other countries. A-dec 500, A-dec 400, A-dec 200, A-dec Inspire, and reliablecreativesolutions are also trademarks of A-dec Inc. None of the trademarks or trade names in this document may be reproduced, copied, or manipulated in any manner without the express, written approval of the trademark owner.

Certain touchpad symbols are proprietary to A-dec Inc. Any use of these symbols, in whole or in part, without the express written consent of A-dec Inc., is strictly prohibited.

Regulatory Information

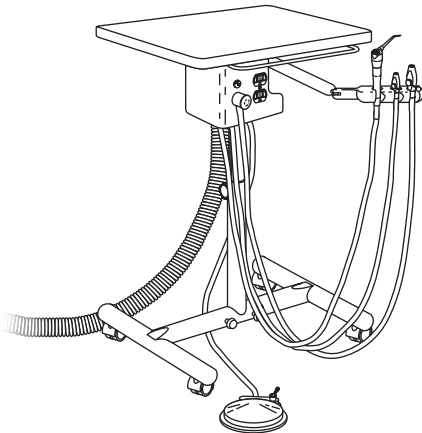
Regulatory information mandated by agency requirements is provided in the *Regulatory Information, Specifications, and Warranty* document (p/n 86.0221.00), which is available in the Document Library at www.a-dec.com.

Product Service

Product service is available through your local authorized A-dec dealer. For service information, or to locate an authorized dealer, contact A-dec at 1.800.547.1883 in the USA and Canada or 1.503.538.7478 worldwide, or visit www.a-dec.com.

Contents

- About Your Assistant’s Unit 1
- Assistant’s Instrumentation 2
 - HVE and Saliva Ejector 2
 - Solids Collector 3
 - Autoclavable Syringe..... 3
- Tray Holder (Optional) 4
 - Left/Right Conversion 4
- System Air and Water Pressure 5
- Care Instructions 5
- Cart Adjustments 6
 - Work Surface Height..... 6
 - Left/Right Conversion 7
 - Work Surface Leveling 7
- Maintenance 9
- Specifications 10
- Warranty 11

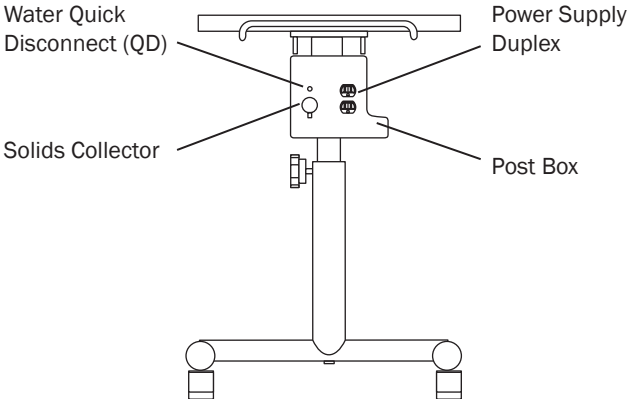


Cascade 2615 Assistant's Cart

About Your Assistant's Unit

Your Cascade 2615 Assistant's Cart is equipped with the following instrumentation: autoclavable quick disconnect syringe, saliva ejector, and HVE (a second HVE is optional). The unit's post box contains a solids collector, a water quick disconnect (QD), and a power supply duplex (see Figure 1). An optional tray holder is easily fitted for right-hand or left-hand usage (see page 4).

Figure 1. Cart Post Box

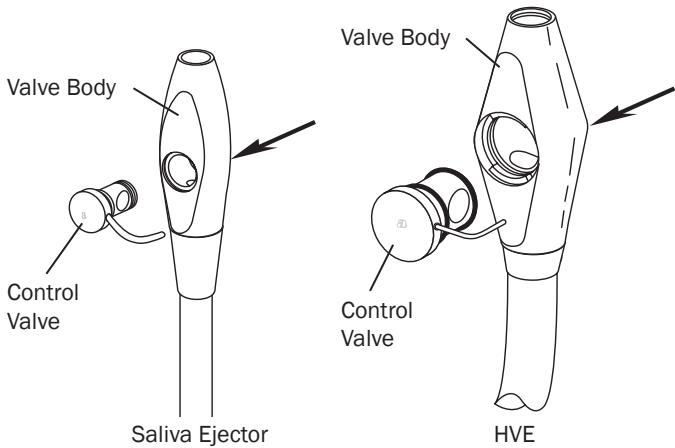


Assistant's Instrumentation

HVE and Saliva Ejector

The HVE and saliva ejector can be easily converted for right- or left-hand operation. To convert, press the control valve out of the valve body. Rotate the control valve 180°, and then press it back into the valve body.

Figure 2. Right- to Left-Hand Conversion

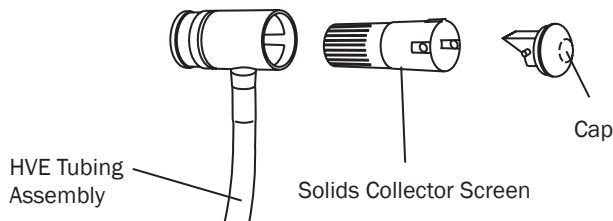


Refer to the *A-dec Assistant's Instrumentation Instructions for Use* (p/n 85.2610.00) for complete instructions on cleaning the HVE and saliva ejector.

Solids Collector

The solids collector prevents solids from entering the central vacuum system.

Figure 3. Solids Collector



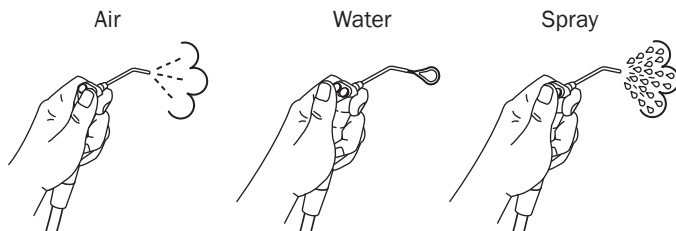
See the *A-dec Assistant's Instrumentation Instructions for Use* (p/n 85.2610.00) for complete solids collector maintenance instructions.

Autoclavable Syringe

To operate the syringe:

- Move the master on/off toggle to the on position.
- Air - Press the right button down.
- Water - Press the left button down.
- Spray - Press both buttons down.

Figure 4. Autoclavable Syringe



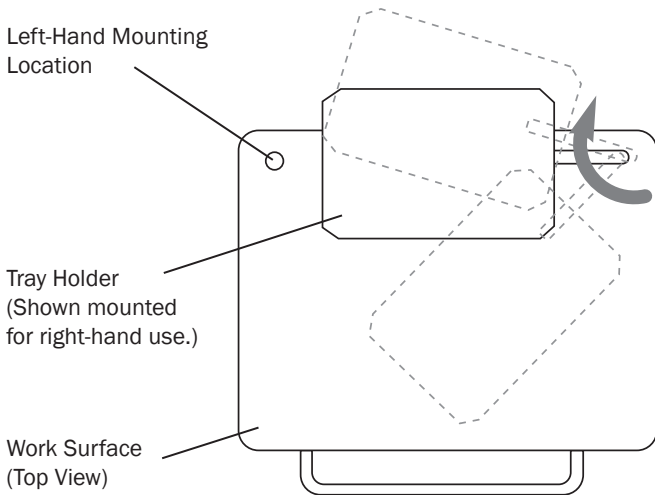
Refer to the *A-dec Syringes Instructions for Use* (p/n 85.0680.00) for complete syringe operation and maintenance instructions.

Tray Holder (Optional)

Left/Right Conversion

The optional tray holder can be mounted on either side of the unit's work surface.

Figure 5. Tray Holder Right/Left Conversion



1. Remove the plug from the work surface corner opposite the current tray holder location.
2. Remove the tray holder from the unit's work surface and set aside.
3. Remove the brass tray holder bushing from the work surface by removing the 3/4" hex nut (located on the underside of the unit's work surface) that secures the bushing to the work surface.
4. Lift the brass bushing from its seat and move it to the opposite side of the unit work surface.
5. Install the 3/4" hex nut to the new position and tighten the hex nut.
6. Install the tray holder into the brass bushing.
7. Place the plug into the open tray holder hole.

System Air and Water Pressure

For system air and water pressure adjustments, see the *A-dec Floor Boxes Instructions for Use* (p/n 85.2611.00).

Care Instructions

For recommended asepsis instructions, see the *A-dec Equipment Asepsis Guide* (p/n 85.0696.00).

For recommended self-contained water system care, see the *A-dec Self-Contained Water System Instructions for Use* (p/n 86.0609.00).

Cart Adjustments

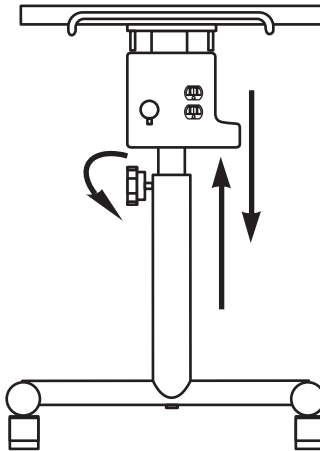
Work Surface Height



WARNING The cart is very heavy. The cart height adjustment requires two people to safely complete it. Firmly tighten the knob after adjusting the cart height. Serious bodily injury may result if the knob is not secure.

1. Securely hold the cart top so it will not drop.
2. Loosen the knob.

Figure 6. Cart Height Adjustment



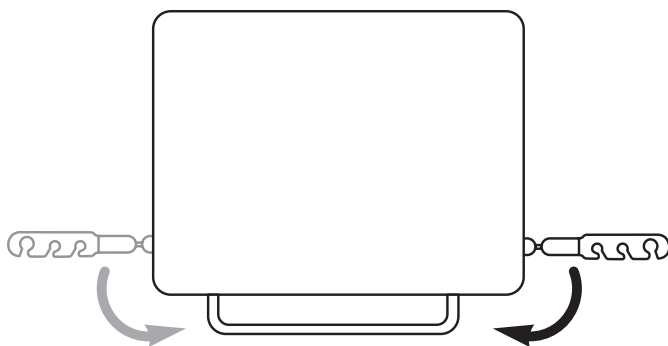
3. Lift or lower the cart top until the work surface is at the desired height.
4. Firmly tighten the knob. If the top lowers, the knob was not tightened firmly enough.

Left/Right Conversion

Your assistant's cart can be easily converted for opposite-hand delivery.

Rotate the assistant's arm to the opposite side of the work surface.

Figure 7. Left/Right Conversion



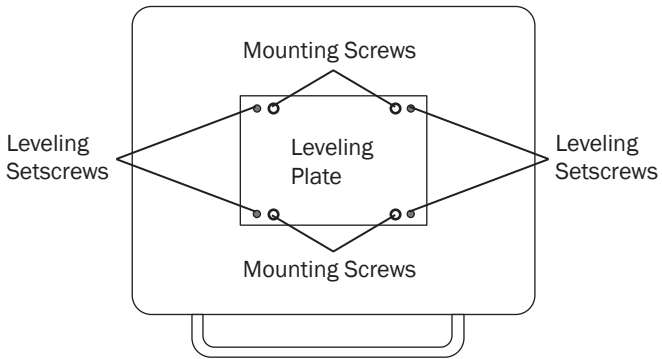
Work Surface Leveling

To level your assistant's unit work surface:

1. Place a leveling device on the work surface.
2. Check for level front-to-back and side-to-side.
3. Using a 3/16" hex key, loosen but do not remove the four mounting screws found on the bottom of the leveling plate. See Figure 8 on page 8.
4. Locate the four leveling setscrews. See Figure 8 on page 8.
5. Face the work surface handle.

6. To level front to back:
 - If the work surface tilts toward you, use a 3/16" hex key and tighten the two leveling setscrews closest to you until the work surface is level.
 - If the work surface tilts away from you, tighten the two leveling setscrews furthest away until the work surface is level.
7. To level side to side:
 - If the work surface tilts to the left, tighten the two leveling setscrews on the left side of the leveling plate until the work surface is level.
 - If the work surface tilts to the right, tighten the two leveling setscrews on the right side of the leveling plate until the work surface is level.
8. When you have completed these steps, tighten the four mounting screws, and then check the work surface again for level.

Figure 8. Leveling the Work Surface



Maintenance

Refer to the following A-dec documentation for more maintenance information:

Assistant’s Instrumentation

A-dec Assistant’s Instrumentation
Instructions for Use.....85.2610.00
A-dec Syringes Instructions for Use85.0680.00

Care Instructions

A-dec Equipment Asepsis Guide.....85.0696.00
A-dec Self-Contained Water System
Instructions for Use.....86.0609.00

Power Supplies

A-dec Floor Boxes Instructions for Use.....85.2611.00

Specifications



NOTE Specifications are subject to change without notice. Requirements may vary depending on your location. For more information, contact your authorized A-dec dealer.

Service Requirements for Unit Operation

Minimum Air:

2.50 cfm (70.80 L/min) at 80 psi (551 kPa)

Minimum Water:

1.50 gpm (5.68 L/min) at 40 psi (276 kPa)

Minimum Vacuum:

12 cfm (339.84 L/min) at 8 inHg (27 kPa)

Cart Specifications

25 lb (11.34 kg) vertical load is the maximum safe load capability of the work surface.

5 lb (2.27 kg) vertical load is the maximum safe load capability of the optional tray holder.

Duplex Receptacle Ratings

120 VAC, 20A maximum, branch circuit breaker limited.



IMPORTANT For electrical specifications, identification of symbols, and other regulatory requirements, see the *Regulatory Information, Specifications, and Warranty* document (p/n 86.0221.00), which is available in the Document Library at www.a-dec.com.

Warranty

Warranty information is provided in the *Regulatory Information, Specifications, and Warranty* document (p/n 86.0221.00), which is available in the Document Library at www.a-dec.com.



A-dec Headquarters

2601 Crestview Drive
Newberg, Oregon 97132
United States

Tel: 1.800.547.1883 within USA/CAN
Tel: +1.503.538.7478 outside USA/CAN
Fax: 1.503.538.0276
www.a-dec.com

A-dec Australia

Unit 8
5-9 Ricketty Street
Mascot, NSW 2020
Australia

Tel: 1.800.225.010 within AUS
Tel: +61.(0).2.8332.4000 outside AUS

A-dec China

A-dec (Hangzhou) Dental Equipment Co., Ltd.
528 Shunfeng Road
Qianjiang Economic Development Zone
Hangzhou 311106
Zhejiang, China
Tel: +1.503.538.7478

A-dec United Kingdom

Austin House, 11 Liberty Way
Nuneaton, Warwickshire CV11 6RZ
England

Tel: 0800.ADEC.UK (2332.85) within UK
Tel: +44.(0).24.7635.0901 outside UK

